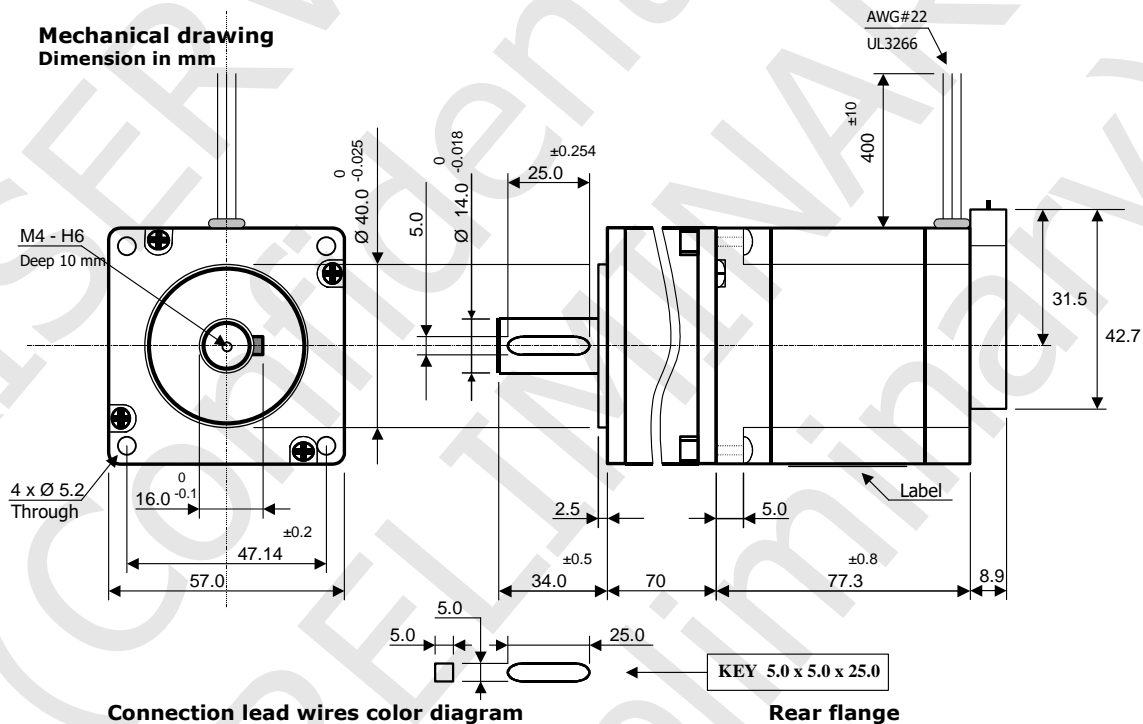
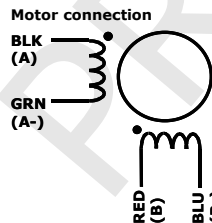


Motor Size	<b>2.3" – 57 mm square shape</b>	Step Angle	<b>1.8° ±5%</b>
Front Shaft at Gearbox Output	<b>34.0 mm length – Ø 14.00 mm with key 5x5x25 mm as dwg</b>	Rear Shaft	<b>13.5 mm length – Ø 5.00 mm</b>
Lead wires	<b># 4 lead wires</b>	Lead Wire Length	<b>400 mm ±10mm</b>
Rated Voltage	<b>2.10 Volt</b>	Rated Current	<b>4.20 Amps/phase</b>
Resistance	<b>0.50 ohm ±0.15</b>	Inductance	<b>1.77 mH ±20%</b>
Motor Rotor Inertia	<b>480 g.cm<sup>2</sup></b>	Motor Bipolar Holding Torque	<b>2.00 Nm</b>
Winding	<b>Bipolar parallel</b>	Insulation class	<b>Class B, 130°C</b>
Ambient temperature	<b>-20°C ~ +40°C</b>	Temperature rise	<b>80K max</b>
Gearbox ratio	<b>1:30</b>	Gearbox efficiency	<b>90%</b>
Gearbox precision	<b>15 Arc</b>	Weight	<b>2.20 Kg.</b>
Encoder type	<b>Incrementale in quadratura</b>	Resolution	<b>4096 ppr</b>
Encoder power supply	<b>5 Vdc ±10%</b>	Encoder output	<b>Single ended 5Vdc</b>
Feedback signals	<b>A, B, Z.</b>	Encoder protection	<b>IP40</b>



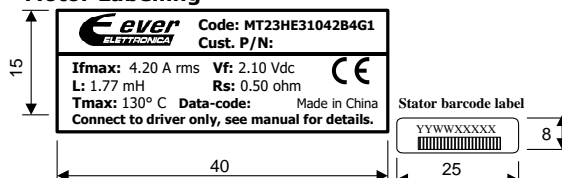
Connection lead wires color diagram



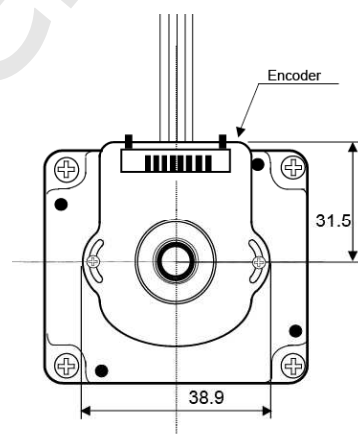
Encoder connection

Pin on connector	1	2	3	4	5	6	7	8
Connection	GND	Z signal	A signal	5 Vdc	B signal	Not connected	Not connected	Not connected

Motor Labelling



Rear flange



	Motor specification: MTER-0008	Date: February, 6th 2017	Customer approval: _____
	Ever motor code: MT23HE31042B4G1		Customer code: _____