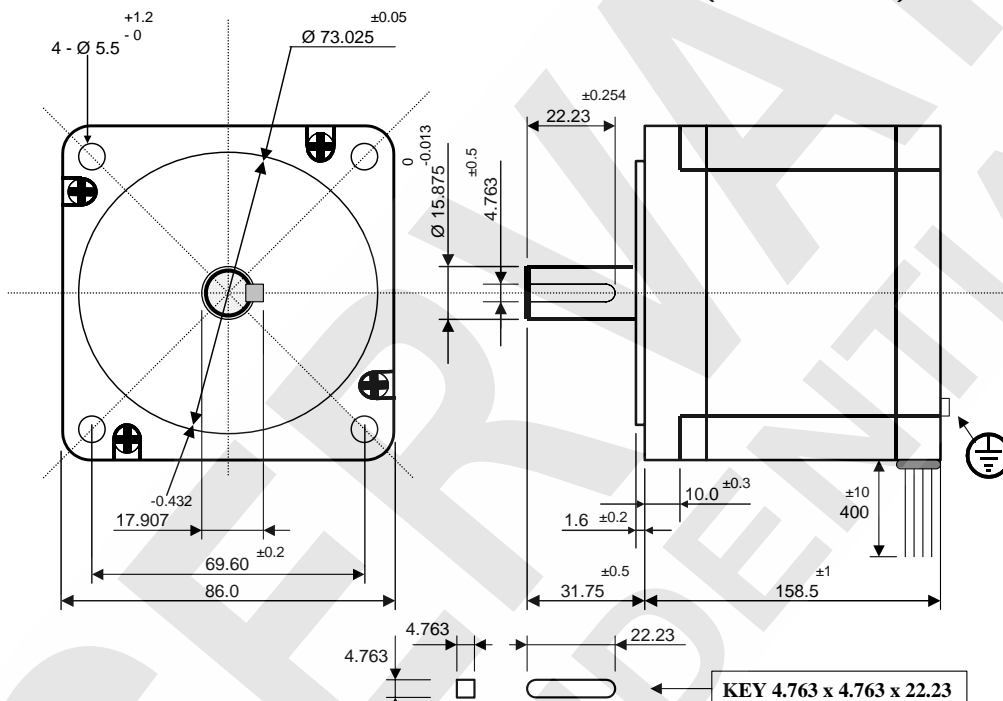


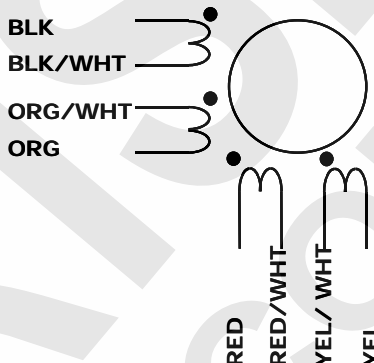
Motor Size	<b>3.4" - 86 mm square shape</b>	Step Angle	<b>1,8° ±5%</b>
Front Shaft	<b>31.75 mm length - Ø 15.875 mm with key 4.763x4.763x22.23 mm</b>	Rear Shaft	<b>None</b>
Lead wires	<b># 8 lead wires for bipolar series or parallel connections</b>	Lead Wire Length	<b>400 mm ±10mm</b>
Rated Voltage	<b>3.90 Volt</b>	Rated Current	<b>6.00 Amps/phase</b>
Phase Resistance	<b>0.65 ohm ±10%</b>	Phase Inductance	<b>3.40 mH ±20%</b>
Rotor Inertia	<b>4800 g.cm<sup>2</sup></b>	Bipolar Holding Torque	<b>12.20 Nm min.</b>
Dielectric strength	<b>500 Vac, 1 minute</b>	Insulation class	<b>Class B</b>
Shaft thrust load	<b>60 N</b>	Shaft radial load	<b>220 N</b>

Mechanical drawings

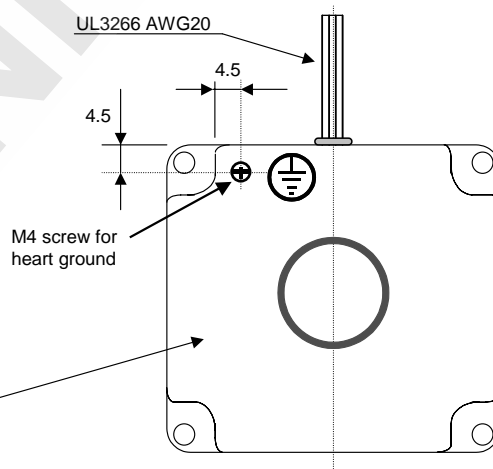
(Dimensions in mm)



Connection lead wires color diagram



Rear flange



Motor Labelling  
Label type: alluminum adhesive label



	MOTOR SPEC: STM01032-00a	DATE: June, 04th 2014	CUSTOMER APPROVAL: _____
	MOTOR CODE: MT34HE62060M8K		CUSTOMER CODE: _____