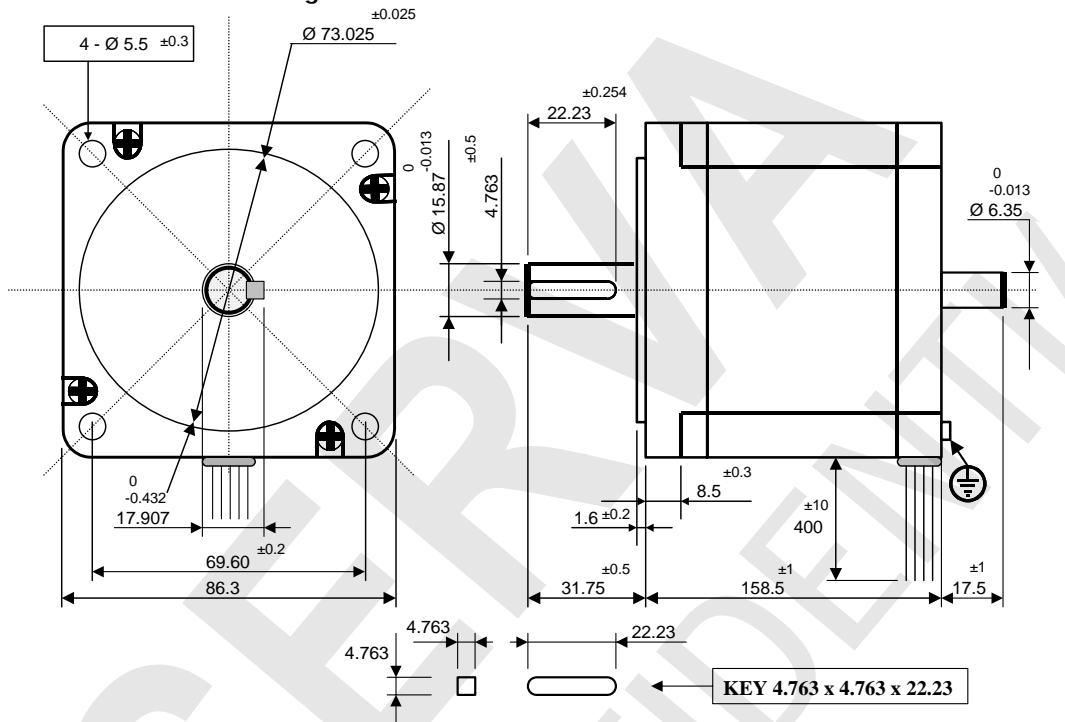


Motor Size	3.4" – 86 mm square shape	Step Angle	1.8° ±5%
Front Shaft	31.75 mm length – Ø 15.87 mm with key 4.763x4.763x22.23 mm	Rear Shaft	17.5 mm length Ø 6.35 mm
Lead wires	# 8 lead wires	Lead Wire Length	400 mm ±10mm
Rated Voltage	3.90 Volt	Rated Current	6.00 Amps/phase
Resistance	0.65 ohm ±15	Inductance	3.40 mH ±20%
Winding	Unipolar for bipolar serie or bipolar parallel connection	Insulation Class	B, 130° C
Rotor Inertia	4800 g.cm²	Bipolar Holding Torque	12.20 Nm
Ambient temperature	-20°C ~ +40°C	Temperature rise	80K max
Shaft thrust load	60 N	Shaft radial load	220 N (at shaft end)

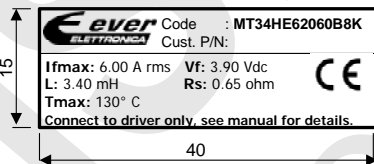
Mechanical drawings

(Dimensions in mm)

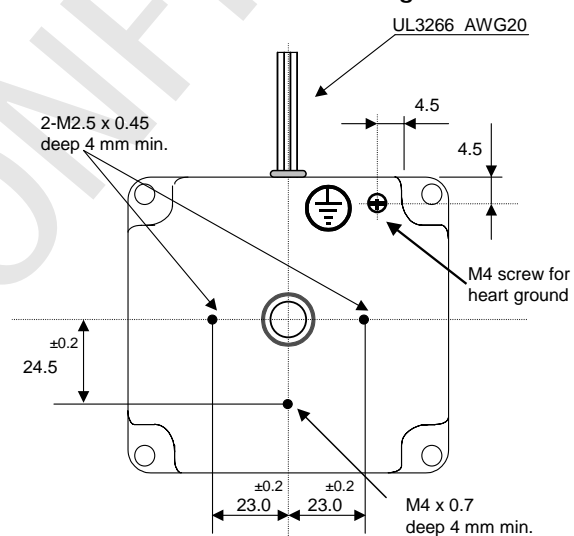


Motor Labelling

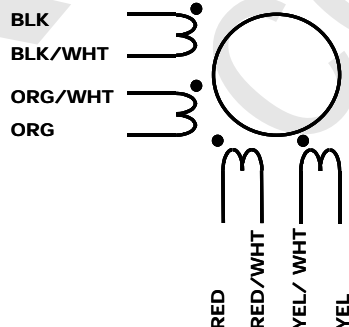
Label type: alluminum adhesive label



Rear flange



Wiring diagram



	MOTOR SPECIFICATION: STM01035-00b	DATE: July, 18th 2016	CUSTOMER APPROVAL: _____
	EVER P/N: MT34HE62060B8K		CUSTOMER CODE: _____