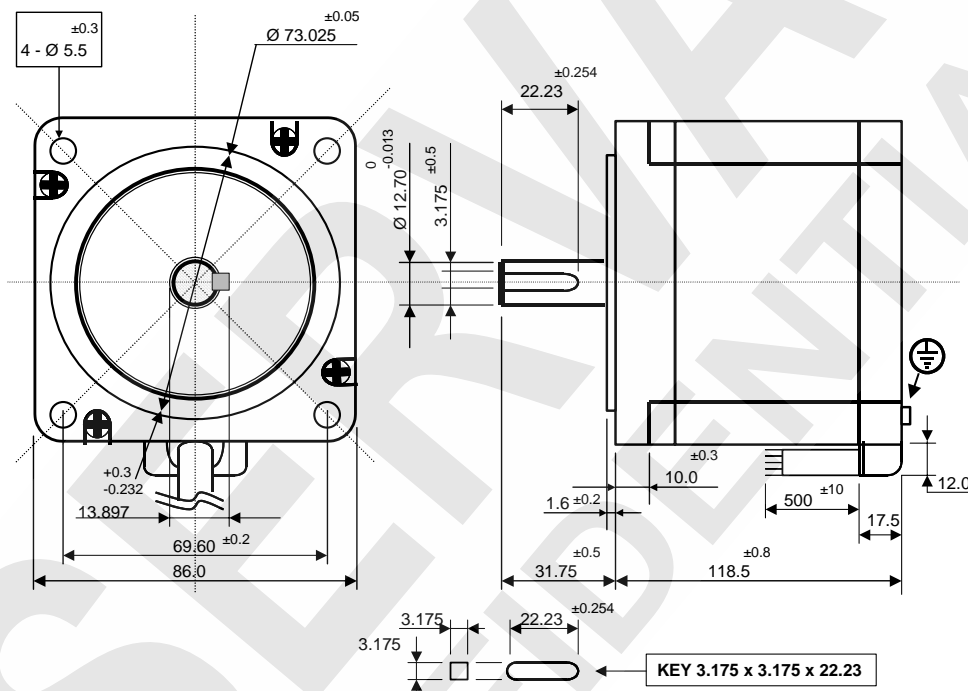


Motor Size	3.4" - 86 mm square shape	Step Angle	1.8° ±5%
Front Shaft	31.75 mm length - Ø 12.70 mm with key 3.175x3.175x22.23 mm	Rear Shaft	None
Lead wires	# 4 lead wires	Lead Wire Length	500 mm ±10mm with tube as drawing
Rated Voltage	3.00 Volt	Rated Current	12.00 Amps/phase
Resistance	0.25 ohm ±10%	Inductance	1.70 mH ±20%
Winding	Bipolar parallel	Bipolar Holding Torque	11.80 Nm min.
Rotor Inertia	2500 g.cm²	Insulation class	Class B, 130°C
Ambient temperature	-20°C ~ +40°C	Temperature rise	80K max
Shaft thrust load	60 N	Shaft radial load	220 N (at shaft end)

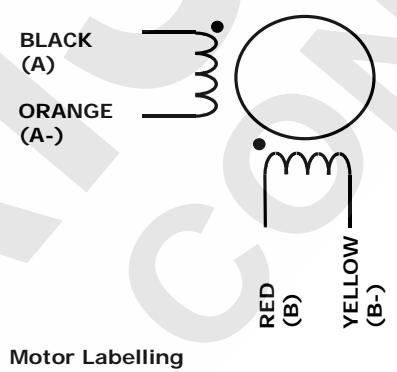
Mechanical drawings

(Dimensions in mm)

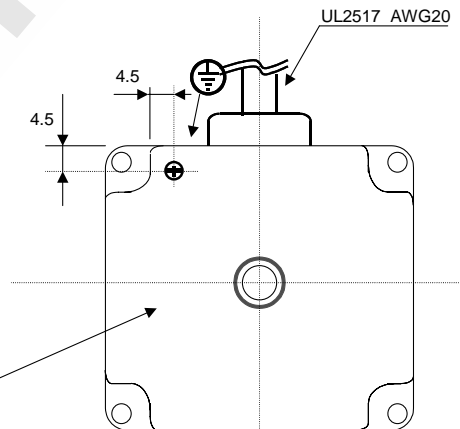


Connection lead wires color diagram

Rear flange



Motor Labelling



	MOTOR SPECIFICATION: STM01074-00b	DATE: December, 2nd 2015	CUSTOMER APPROVAL: _____
	EVER P/N: MT34HE47120M4K		CUSTOMER CODE: _____