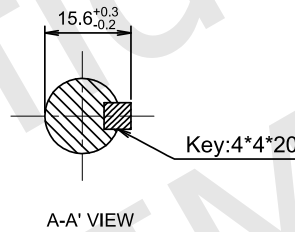
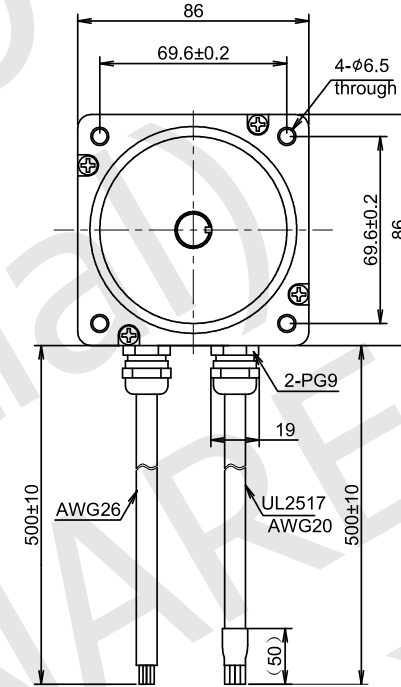
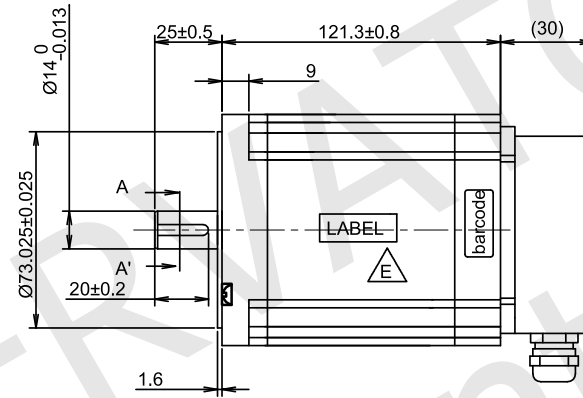
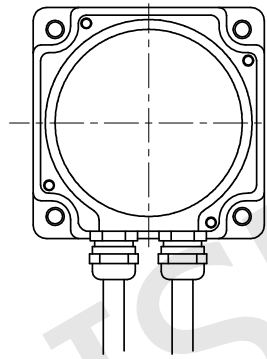


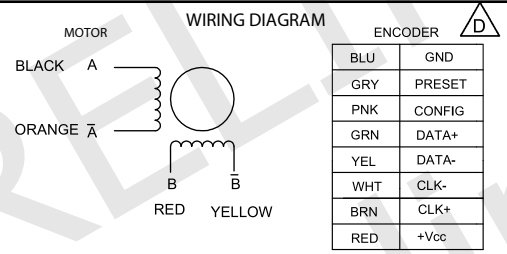
RoHS



| ENCODER SPECIFICATIONS | |
|------------------------|--|
| ENCODER TYPE | Absolute multiturn |
| POWER SUPPLY | 5.00 Vdc |
| SINGLE TURN RESOLUTION | 17 bits |
| MULTI TURN RESOLUTION | 16 bits △ |
| OUTPUT TYPE | BISS-C |

| MOTOR SPECIFICATIONS | |
|----------------------|------------------------|
| STEP ANGLE | 1.8° ±5% |
| RATED CURRENT | 9.50 Amps/Ph |
| HOLDING TORQUE | 10.50 Nm Min. |
| RESISTANCE | 0.36 ohm ±0.1 ar 25°C |
| INDUCTANCE | 3.16 mH ±20% |
| ROTOR INERTIA | 3800 g.cm ² |
| INSULATION CLASS | Class B, 130°C |
| DIELECTRIC STRENGTH | 500 Vac 1 minute |

| | |
|-----------------------|---|
| IP CODE | IP66 (IP40 on front shaft) △ |
| PULL OUT TORQUE | --- |
| BACK EMF | --- |
| DETENT TORQUE | --- |
| WEIGHT | 4000 g. approx |
| TEMPERATURE RISE | 80K Max. |
| OPERATING TEMPERATURE | -20°C ~ +50°C |
| STORAGE TEMPERATURE | -20°C ~ +70°C |
| SHAFT AXIAL LOAD | 60 N |
| SHAFT RADIAL LOAD | 220 N (ON FRONT SHAFT END) |



EXCITING SEQUENCE (TWO PHASES) VS. DIRECTION OF ROTATION

| STEP | A | B | Ā | B̄ | |
|------|---|---|----|----|----------|
| 1 | + | + | - | - | CCW ↑ |
| 2 | - | + | + | - | |
| 3 | - | - | + | + | |
| 4 | + | - | - | + | |

CLOCK WISE VIEW FROM MOUNTING SIDE

LABELS

Code : MT34HE47095A401
Cust. P/N:

Ifmax: 9.50 Arms Vfmax: 3.42 Vdc
L: 3.16 mH Rs: 0.36 ohm
Tmax: 130°C Lot #: Made in China
Connect to driver only, see manual for details.

(15)

YYWWXXXXX (25 x 8)
Stator barcode label

| | | |
|---------------------------------------|----------|-----------------|
| UNIT: mm | DESIGN | Stm01792-01e |
| UNLESS OTHERWISE SPECIFIED TOLERANCES | CHECK | |
| DIMENSIONS : ±0.3mm DEGREES : ±5% | APPROVED | |
| DRAWING NOT TO SCALE | DATE | 29 / 08 / 2 019 |

MT34HE47095A401
STEPPING MOTOR SPECIFICATION

| REV | DESCRIPTION |
|-------------|---|
| 00a | First release. |
| 00b | Modified as customer requirements. |
| 00c | Modified as customer requirements to reach IP66 protection. |
| 00d and 00e | Modified encoder parameters, wires and label. |
| 01e | Modified the label type. |

Ever
ELETRONICA
the clever drive

www.everelettronica.it