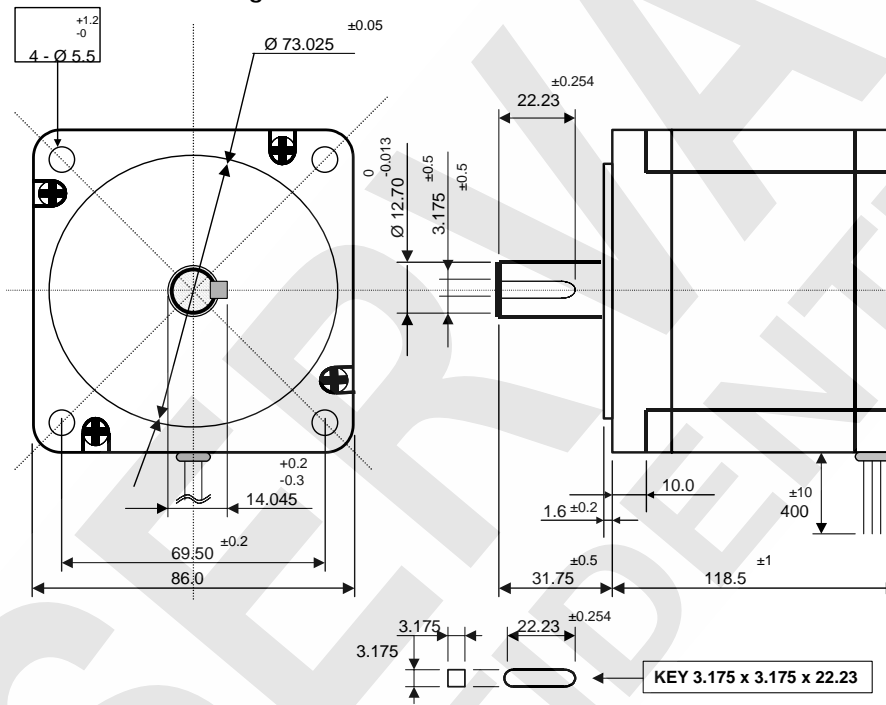


Motor Size	3.4" - 86 mm square shape	Step Angle	1,8° ±5%
Front Shaft	31.75 mm length - Ø 12.70 mm with key 3.175x3.175x22.23 mm	Rear Shaft	None
Lead wires	# 8 lead wires	Lead Wire Length	400 mm ±10mm
Rated Voltage	3.60 Volt	Rated Current	9.00 Amps/phase
Resistance	0.40 ohm ±10%	Inductance	1.70 mH ±20%
Winding	Bipolar	Insulation Class	B
Rotor Inertia	2500 g.cm²	Bipolar Holding Torque	11.80 Nm
Ambient temperature	-20°C ~ +40°C	Temperature rise	80K max
Shaft thrust load	60 N	Shaft radial load	220 N (at front shaft end)

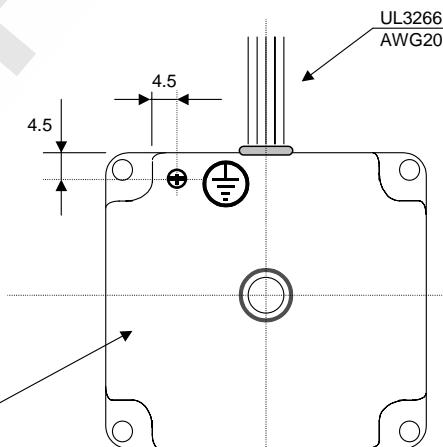
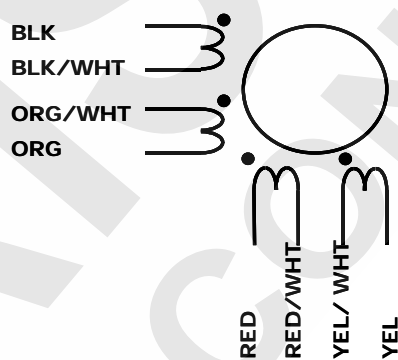
Mechanical drawings

(Dimensions in mm)



Connection lead wires color diagram

Rear flange



Motor Labelling



	MOTOR SPECIFICATION: STM00945-00c	DATE: May, 26th 2015	CUSTOMER APPROVAL: _____
	EVER P/N: MT34HE47090M8K		CUSTOMER CODE: _____