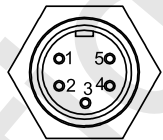
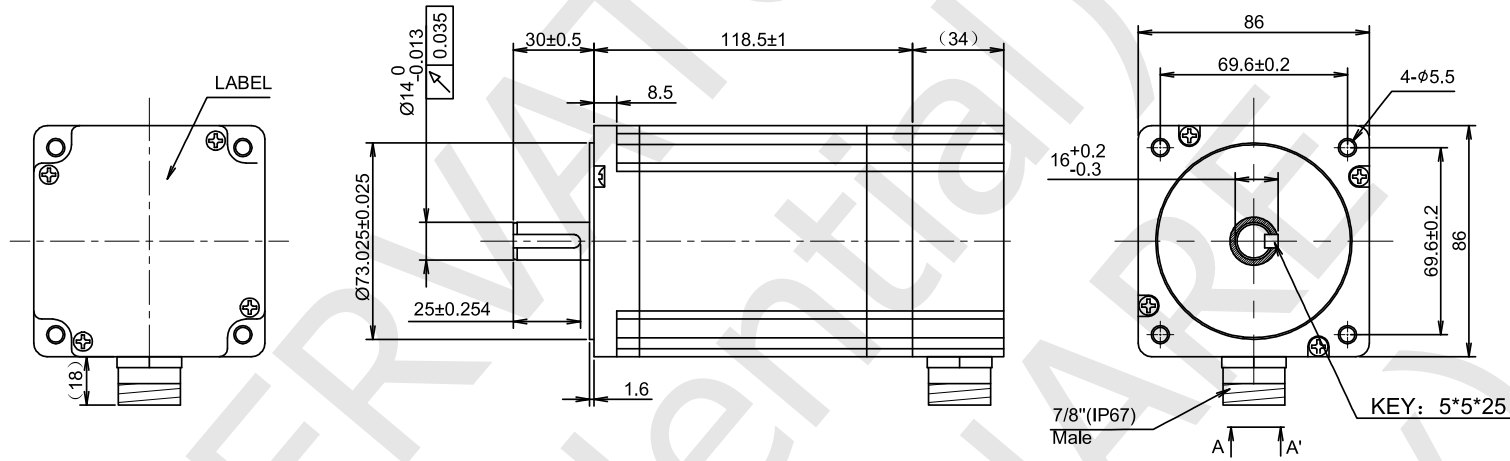


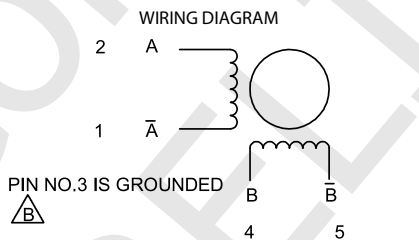
RoHS



A-A' VIEW  
7/8" MALE 5 POLES  
CONNECTOR  
MOTOR

**MOTOR SPECIFICATIONS**

STEP ANGLE	1.8° ±5%
RATED CURRENT	6.00 Amps/Ph
HOLDING TORQUE	8.50 Nm Min.
RESISTANCE	0.40 ohm ±0.1 at 25°C
INDUCTANCE	4.20 mH ±20% at 1kHz, 1Vrms
ROTOR INERTIA	3800 g.cm <sup>2</sup>
INSULATION CLASS	Class B, 130°C
DIELECTRIC STRENGTH	500 Vac 1 minute
IP CODE	IP65
PULL OUT TORQUE	---
BACK EMF	---
DETENT TORQUE	---
WEIGHT	4000 g. approx
TEMPERATURE RISE	80K Max.
OPERATING TEMPERATURE	-20°C ~ +50°C
STORAGE TEMPERATURE	-20°C ~ +70°C
SHAFT AXIAL LOAD	60 N
SHAFT RADIAL LOAD	220 N (ON THE SHAFT END)



EXCITING SEQUENCE(TWO PHASES)  
VS.DIRECTION OF ROTATION

STEP	A	B	Ā	B̄
1	+	+	-	-
2	-	+	+	-
3	-	-	+	+
4	+	-	-	+

CW CCW

CLOCK WISE VIEW FROM MOUNTING SIDE

LABELS

YYWWXXXX (25 x 8)  
Stator barcode label



UNIT: mm  
UNLESS OTHERWISE SPECIFIED TOLERANCES  
DIMENSIONS : ±0.3 mm DEGREES : ±5%

DESIGN	Stm01965-00b
CHECK	
APPROVED	
DATE	15 / 01 / 2020

**MT34HE47060M4LC**  
STEPPING MOTOR SPECIFICATION

REV

- 00a - First release.
- 00b - Add the indication ground on pin 3.



www.everelettronica.it