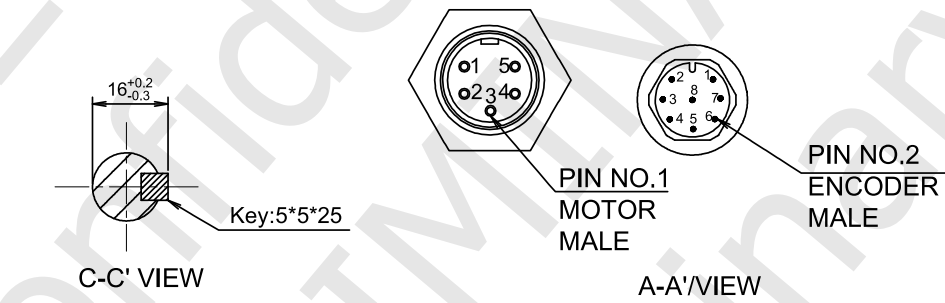
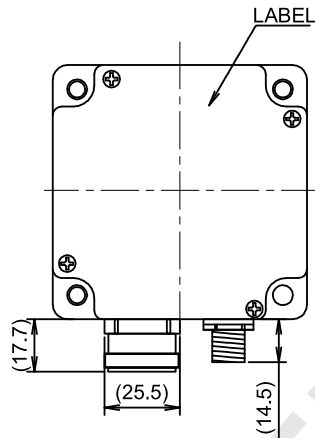
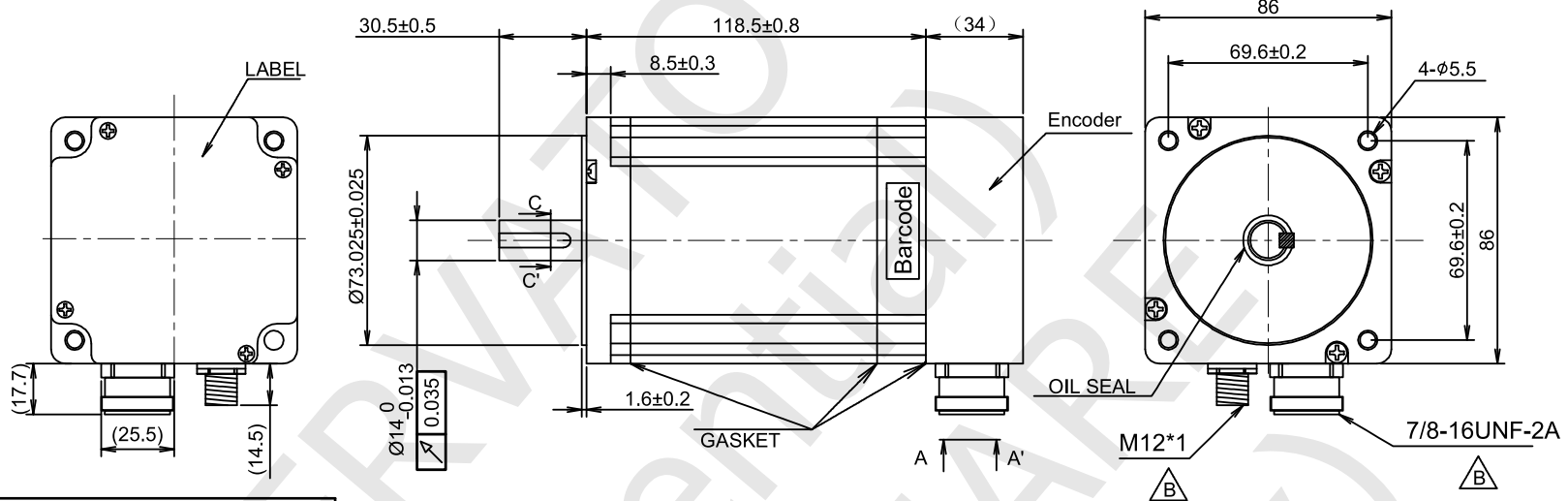


RoHS



ENCODER SPECIFICATIONS	
ENCODER TYPE	Incremental quadrature
POWER SUPPLY	5.00 Vdc
RESOLUTION	1000 ppr
OUTPUT TYPE	Line Driver
MOTOR SPECIFICATIONS	
STEP ANGLE	1.8° ±5%
RATED CURRENT	6.00 Amps/Ph
HOLDING TORQUE	8.50 Nm Min.
RESISTANCE	0.40 ohm ±0.1 at 25°C
INDUCTANCE	4.20 mH ±20%
ROTOR INERTIA	3785 g.cm ²
INSULATION CLASS	Class B, 130°C
DIELECTRIC STRENGTH	500 Vac 1 minute
IP CODE	IP65
PULL OUT TORQUE	---
BACK EMF	---
DETENT TORQUE	---
WEIGHT	4000 g. approx
TEMPERATURE RISE	80K Max.
OPERATION AMBIENT	-20°C ~ +50°C
STORAGE AMBIENT	-20°C ~ +70°C
SHAFT AXIAL LOAD	60 N
SHAFT RADIAL LOAD	220 N (ON FRONT SHAFT END)

WIRING DIAGRAM

MOTOR	ENCODER
1 A/	1 +5VDC
2 A	2 GND
4 B	3 A
5 B/	4 B
	5 Z
	6 A/
	7 B/
	8 Z/

EXCITING SEQUENCE (TWO PHASES) VS. DIRECTION OF ROTATION

STEP	A	B	A̅	B̅
1	+	+	-	-
2	-	+	+	-
3	-	-	+	+
4	+	-	-	+

CLOCK WISE VIEW FROM MOUNTING SIDE

LABELS

YYWWXXXXX (25 x 8)
Stator barcode label

UNIT: mm	DESIGN	Stm01681-00b
UNLESS OTHERWISE SPECIFIED TOLERANCES	CHECK	
DIMENSIONS : ±0.3 mm DEGREES : ±5%	APPROVED	
DRAWING NOT TO SCALE	DATE	11 / 04 / 2019

MT34HE47060E4L2

STEPPING MOTOR SPECIFICATION

REV	DESCRIPTION
00a	First release.
00b	Add information of connector and changed description of encoder output.

