

MOTOR TECHNICAL SPECIFICATION

M-06-STP



Red. : Bianchi Mario

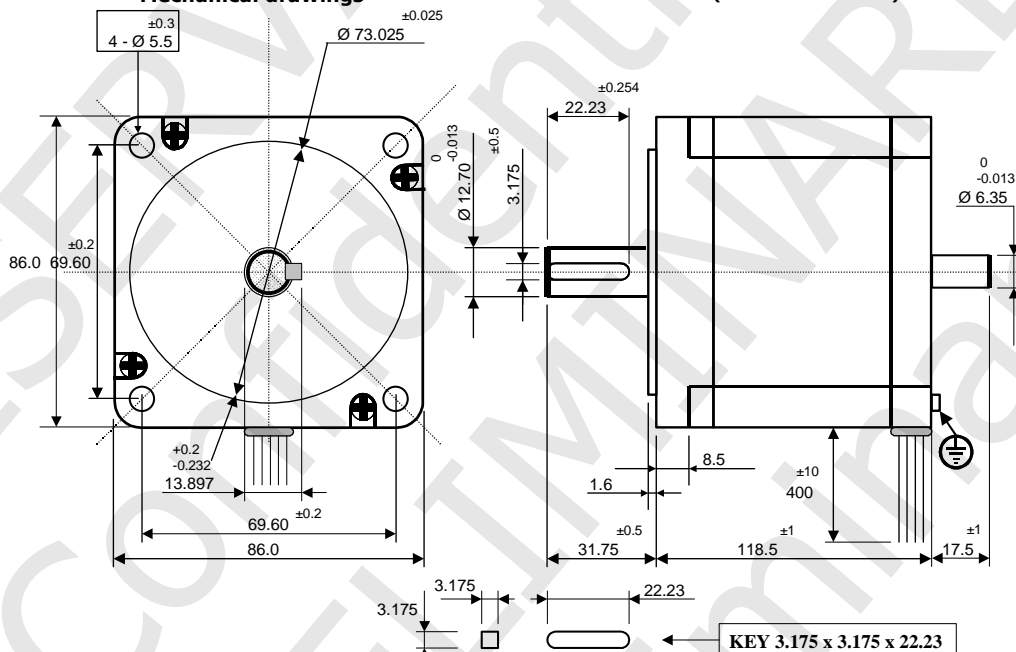
Doc: **MT34HE47060B8K - 01a**

Date : 12/04/2018

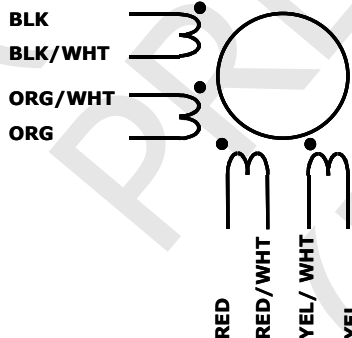
Motor Size	3.4" – 86 mm square shape	Step Angle	1.8° ±5%
Front Shaft	31.75 mm length – Ø 12.70 mm with key 3.175x3.175x22.23 mm	Rear Shaft	17.5 mm length - Ø 6.35 mm
Lead wires	# 8 lead wires UL3266 AWG20	Lead Wire Length	400 mm ±10mm
Rated Voltage	4.80 Volt	Rated Current	6.00 Amps/phase
Resistance	0.80 ohm ±0.15	Inductance	4.20 mH ±20%
Winding	Unipolar for bipolar parallel or serial connections	Bipolar holding torque	11.80 Nm min.
Dielectric strength	500 Vac 1 minute	Insulation resistance	100 Mohm min.
Rotor Inertia	3785 g.cm²	Insulation Class	Class B, 130° C
Ambient temperature	-20° ~ +40° C	Temperature rise	80K max
Shaft thrust load	60 N	Shaft radial load	220 N (at front shaft end)

Mechanical drawings

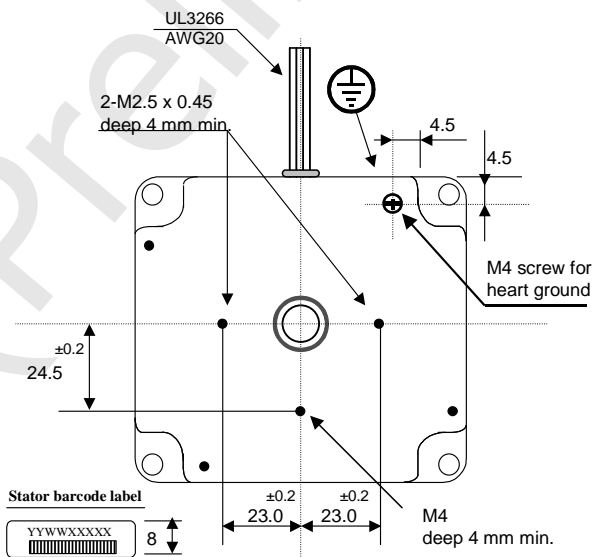
(Dimensions in mm)



Wiring diagram

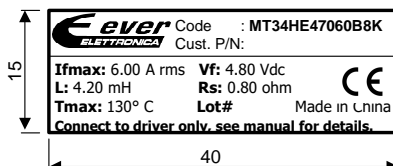


Rear flange



Motor Labelling

Label type: aluminum adhesive label



	MOTOR SPECIFICATION: STM00966-01a	DATE: April, 12th 2018	CUSTOMER APPROVAL: _____
	EVER P/N: MT34HE47060B8K		CUSTOMER CODE: _____