



EVER s.n.c. di ING: CALDI &
Via del commercio 2/4
26900 Lodi - Italy
tel. +39-0371-412318
fax +39-0371-412367
mail

web www.everelettronica.it
infoever@everelettronica.it

MOTOR TECHNICAL SPECIFICATION

M-06-STP



Red. : Bianchi Mario

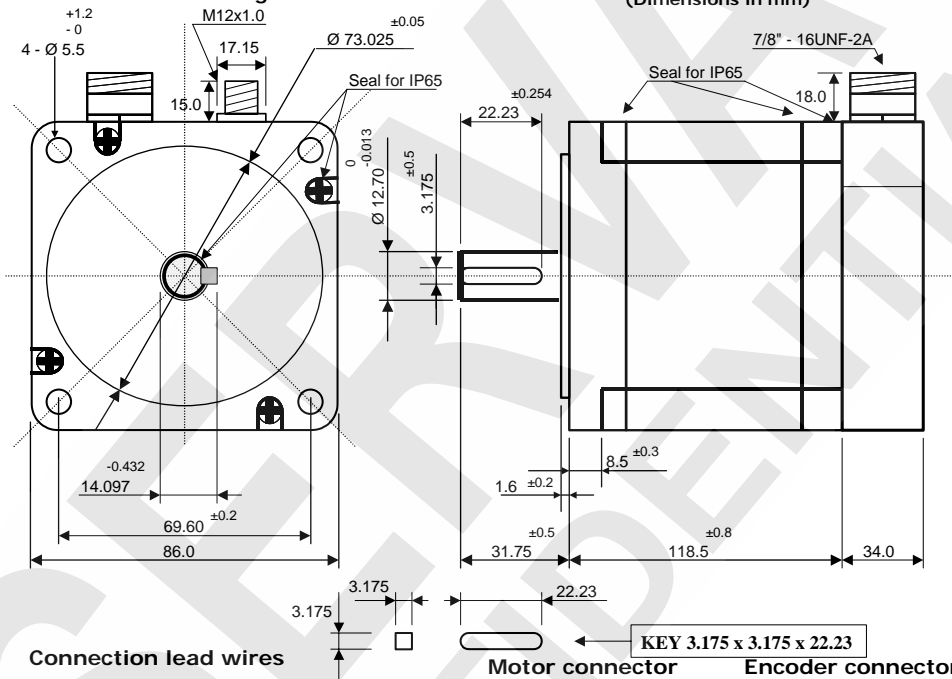
Doc: **MT34HE47060B4LC - 00b**

Date : 27/01/2015

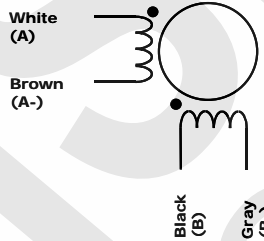
Motor Size	3.4" – 86 mm square shape	Step Angle	1,8° ±5%
Front Shaft	31.75 mm length – Ø 12.70 mm with key 3.175x3.175x23.0 mm	Rear Shaft	17.5 mm length – Ø 6.35 mm
Lead wires	# 4 clamps on connector	Lead Wire Length	None
Rated Voltage	2.40 Volt	Rated Current	6.00 Amps/phase
Resistance	0.40 ohm ±10%	Inductance	4.20 mH ±20%
Winding	Bipolar parallel	Bipolar Holding Torque	8.50 Nm min.
Rotor Inertia	2500 g.cm²	Insulation class	Class B, 130°C
Ambient temperature	-20°C ~ +40°C	Temperature rise	80K max
Shaft thrust load	60 N	Shaft radial load	220 N (at shaft end)
Ambient protection	IP65		

Mechanical drawings

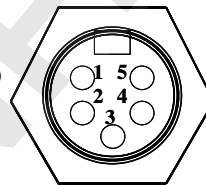
(Dimensions in mm)



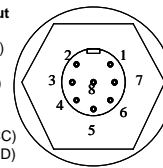
Connection lead wires



- Motor Pinout**
1 - Brown (A-)
2 - White (A)
3 - Blue (GND)
4 - Black (B)
5 - Gray (B-)



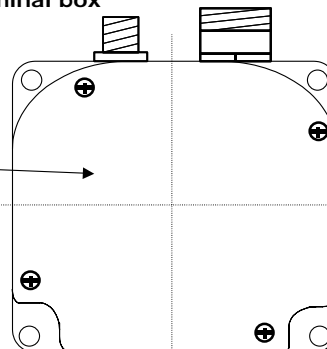
- Encoder Pinout**
1 - White (A)
2 - Brown (A-)
3 - Green (B)
4 - Yellow (B-)
5 - Gray (Z)
6 - Pink (Z-)
7 - Blue (VCC)
8 - Red (GND)



Motor Labelling



Rear terminal box



	MOTOR SPEC: STM01104-00b	DATE: January, 27th 2015	CUSTOMER APPROVAL: _____
	MOTOR CODE: MT34HE47060B4LC		CUSTOMER CODE: _____