



EVER s.n.c. di ING:
Via del commercio 2/4
26900 Lodi - Italy
tel. +39-0371-412318
fax +39-0371-412367
mail

web www.everelettronica.it
infoever@everelettronica.it

MOTOR TECHNICAL SPECIFICATION

M-06-STP



Red. : Bianchi Mario

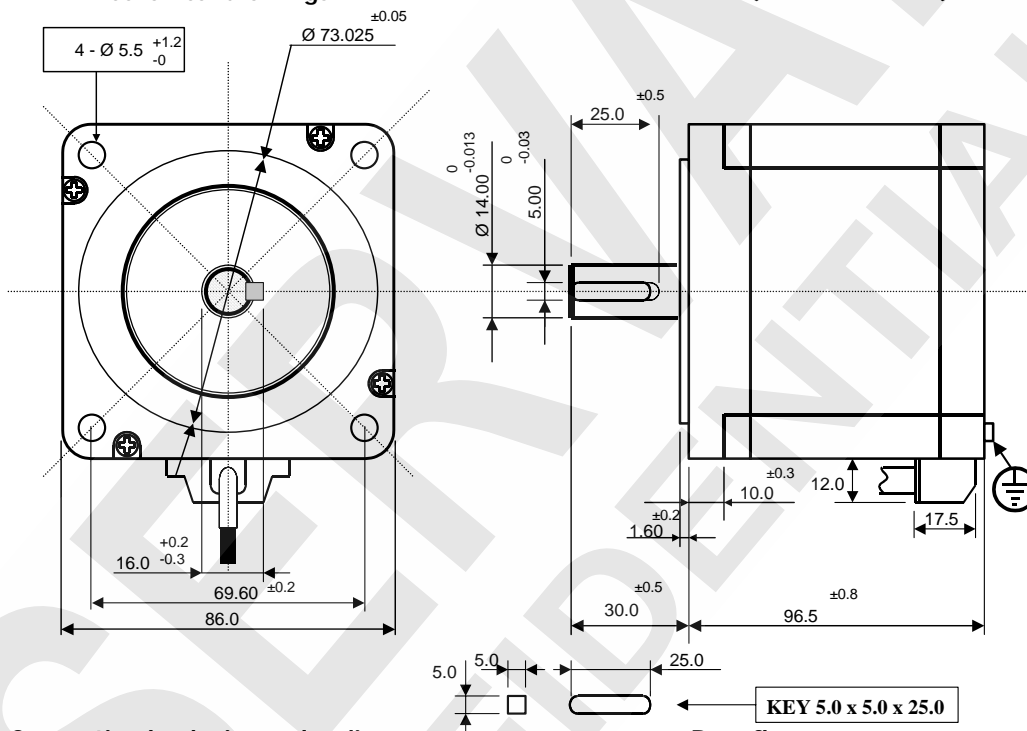
Doc: **MT34HE38060M4K1 - 00abis**

Date: 04/12/2015

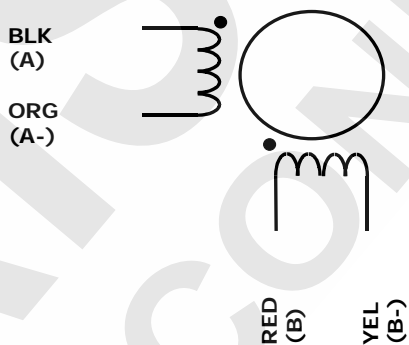
Motor Size	3.4" - 86 mm square shape	Step Angle	1,8° ±5%
Front Shaft	30.00 mm length - Ø 14.0 mm with 5.0x5.0x25.0 mm key	Rear Shaft	None
Lead wires	# 4 lead wires	Lead Wire Length	355 mm ±10mm with tube
Rated Voltage	2.40 Volt	Rated Current	6.00 Amps/phase
Resistance	0.40 ohm ±10%	Inductance	3.40 mH ±20%
Rotor Inertia	1850 g.cm²	Bipolar Holding Torque	7.00 Nm min.
Winding	Bipolar parallel connection	Insulation class	Class B, 130°
Ambient temperature	-20°C ~ +40°C	Temperature rise	80K max
Shaft thrust load	60 N	Shaft radial load	220 N (at the shaft end)

Mechanical drawings

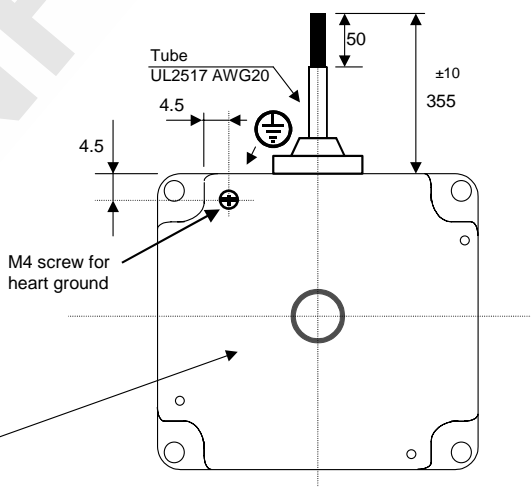
(Dimensions in mm)



Connection lead wires color diagram



Motor Labelling
Label type: aluminum adhesive label



	MOTOR SPECIFICATION: STM01152-00abis	DATE: December, 4th 2015	CUSTOMER APPROVAL: _____
	EVER P/N: MT34HE38060M4K1		CUSTOMER CODE: _____