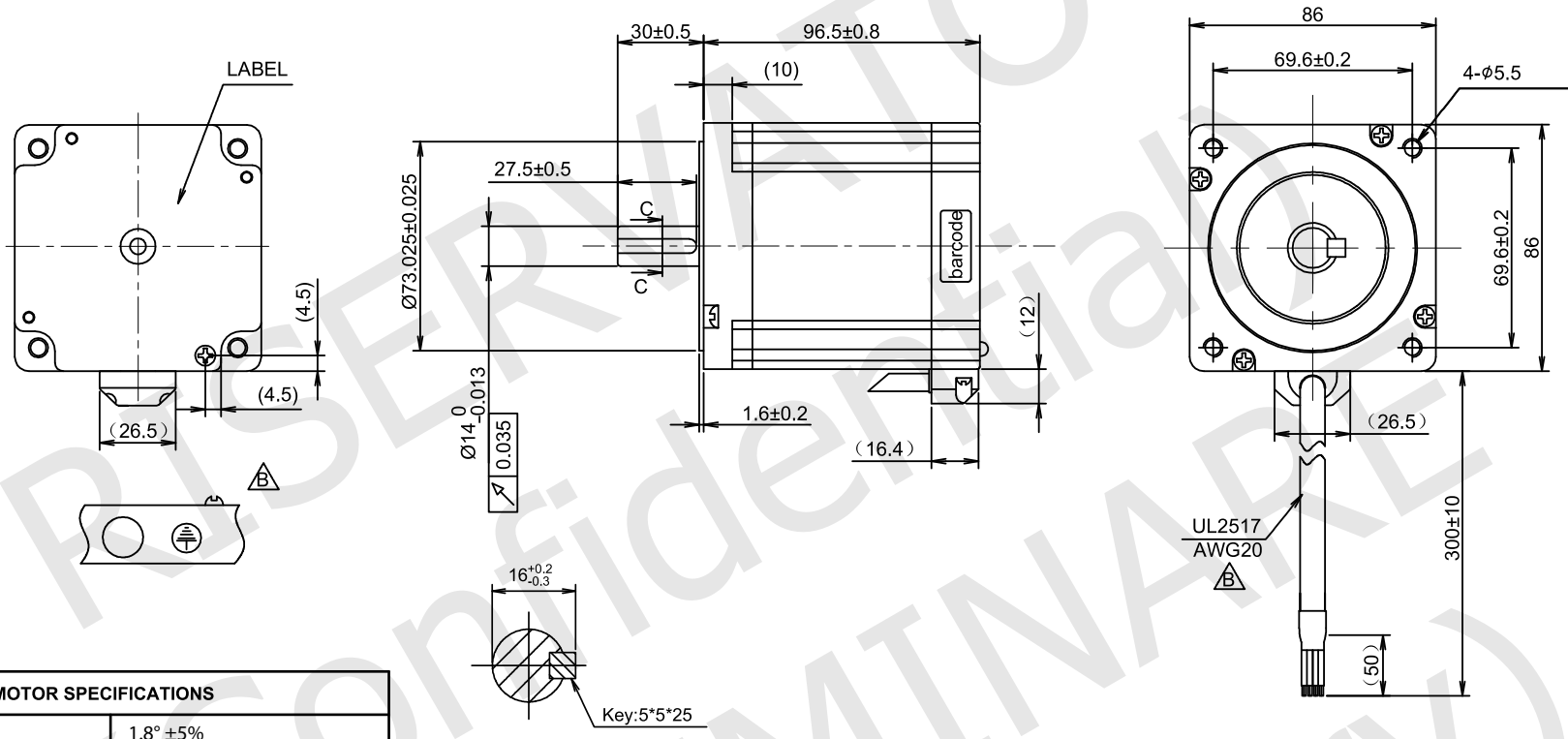


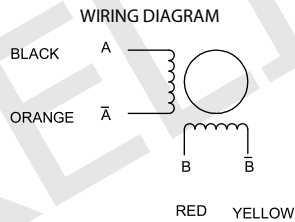
RoHS



**MOTOR SPECIFICATIONS**

STEP ANGLE	1.8° ±5%
RATED CURRENT	4.00 Amps/Ph
HOLDING TORQUE	7.00 Nm Min.
RESISTANCE	1.00 ohm ±10% at 25°C
INDUCTANCE	8.00 mH ±20% at 1kHz, 1Vrms
ROTOR INERTIA	2700 g.cm <sup>2</sup>
INSULATION CLASS	Class F, 155°C (except leadwires)
DIELECTRIC STRENGTH	1500 Vac 1 minute
IP CODE	IP43
PULL OUT TORQUE	---
BACK EMF	---
DETENT TORQUE	---
WEIGHT	3000 g. approx
TEMPERATURE RISE	105K Max.
OPERATING TEMPERATURE	-20°C ~ +50°C
STORAGE TEMPERATURE	-20°C ~ +70°C
SHAFT AXIAL LOAD	60 N
SHAFT RADIAL LOAD	220 N (ON THE SHAFT END)

C-C' / VIEW



EXCITING SEQUENCE (TWO PHASES) VS. DIRECTION OF ROTATION

STEP	A	B	A̅	B̅
1	+	+	-	-
2	-	+	+	-
3	-	-	+	+
4	+	-	-	+

CLOCK WISE VIEW FROM MOUNTING SIDE

LABELS

YYWWXXXXX (25 x 8)  
Stator barcode label



**MT34HE38040M4VK**  
STEPPING MOTOR SPECIFICATION



www.everelectronica.it

UNIT: mm  
UNLESS OTHERWISE SPECIFIED TOLERANCES  
DIMENSIONS : ±0.3 mm DEGREES : ±5%

DESIGN	Stm01991-00c
CHECK	
APPROVED	
DATE	09 / 12 / 2020

REV

- 00a - First release.
- 00b - Modified the lead wires type and the ground label position.
- 00c - Modified the resistance and inductance value.