

MOTOR TECHNICAL SPECIFICATION

M-06-STP



Red. : Bianchi Mario

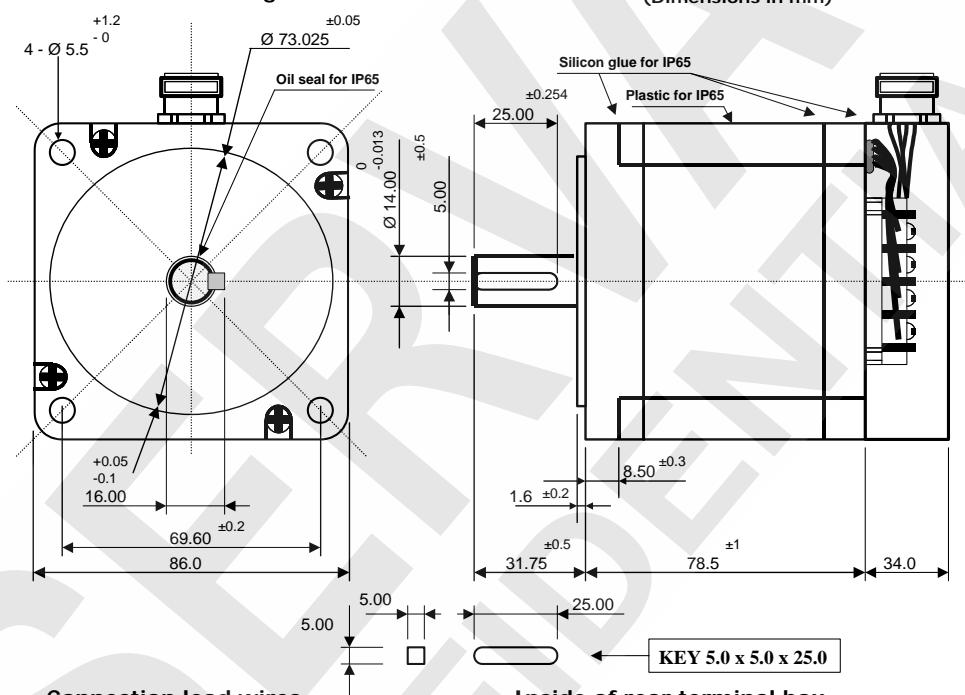
Doc: **MT34HE31084M4LC - 04b**

Date : 05/11/2015

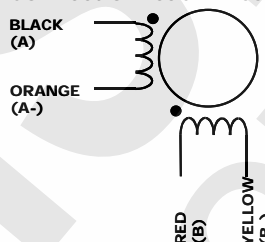
Front flange	3.4" – 86 mm square shape	Step Angle	1,8° ±5%
Front Shaft	31.75 mm length – Ø 14.00 mm with key 5.0x5.0x25.0 mm	Rear Shaft	None
Winding	# 4 pin on connector	Lead Wire Length	Custom connector as dwg
Rated Voltage	1.68 Volt	Rated Current	8.40 Amps
Resistance	0.20 ohm ±10%	Inductance	1.40 mH ±20%
Winding	Bipolar parallel	Bipolar Holding Torque	5.40 Nm min.
Rotor Inertia	1400 g.cm²	Insulation class	Class B, 130°C
Shaft thrust load	60 N	Shaft radial load	220 N (at shaft end)
Ambient temperature	-20°C ~ +40°C	Temperature rise	80K max
Protection	IP65		

Mechanical drawings

(Dimensions in mm)

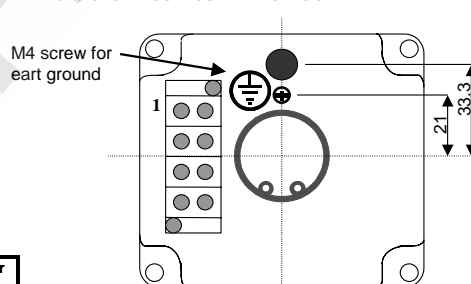


Connection lead wires

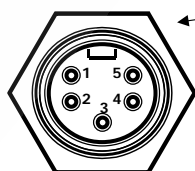
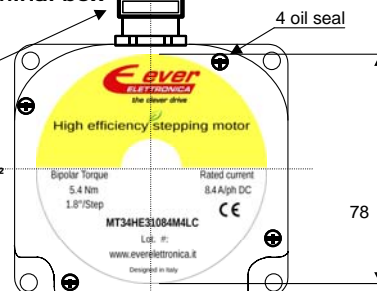


Driver connection	Lead color	MS connector lead wires	MS connector pin out
A	Black / 1	Black	1
A /	Orange / 2	Blu	2
B	Red / 3	Brown	4
B /	Yellow / 4	White	5
GND	(Screw on rear flange)	Green/Yellow	3

Inside of rear terminal box



Rear terminal box



Motor connector
Series R3240 (IP67)
Male socket with 200 mm wires 0.75 mm²
code: HDEM 00538 6A7 0200 000

	MOTOR SPEC: STM01058-04b	DATE: November, 5th 2015	CUSTOMER APPROVAL: _____
	MOTOR CODE: MT34HE31084M4LC		CUSTOMER CODE: _____