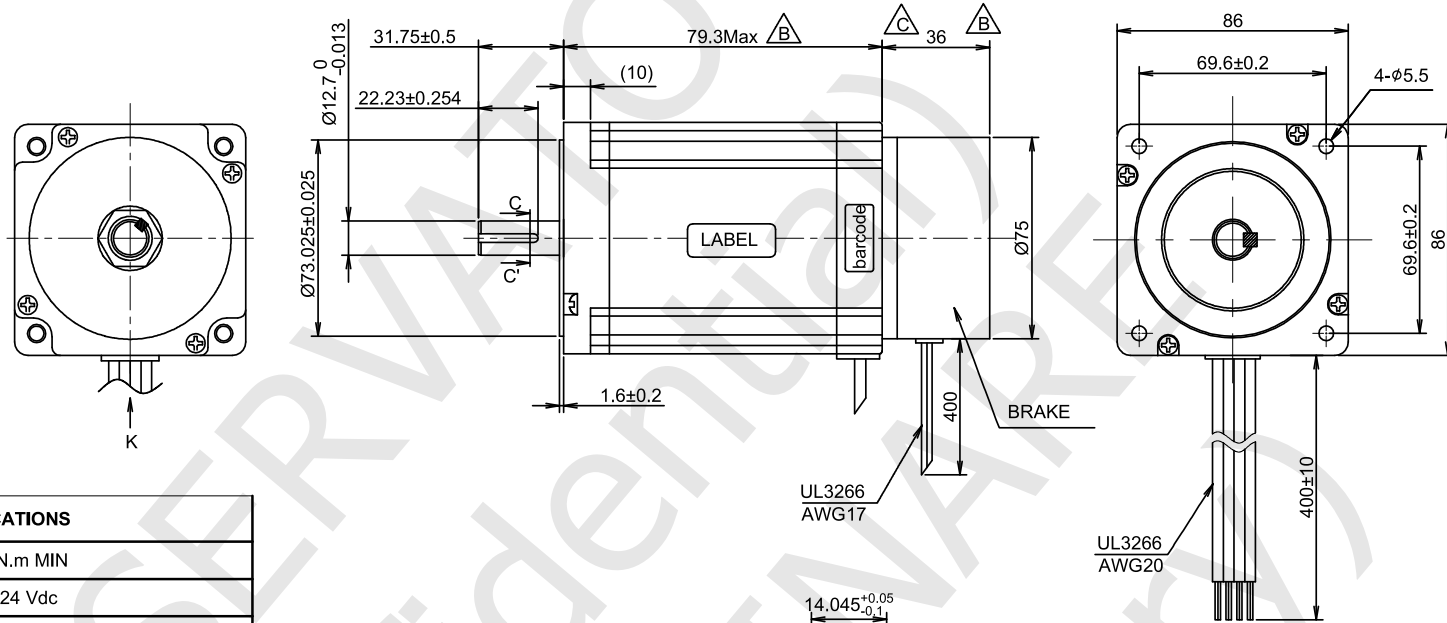


RoHS

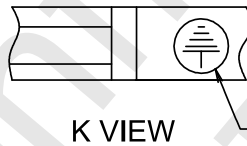


BRAKE SPECIFICATIONS

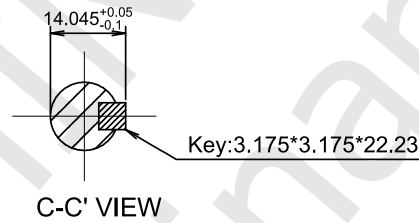
STATIC FRICTION TORQUE	4.0N.m MIN
RATED VOLTAGE	DC 24 Vdc
RATED POWER	13W (at 20°C)
HEAT RESISTANCE CLASS	F

MOTOR SPECIFICATIONS

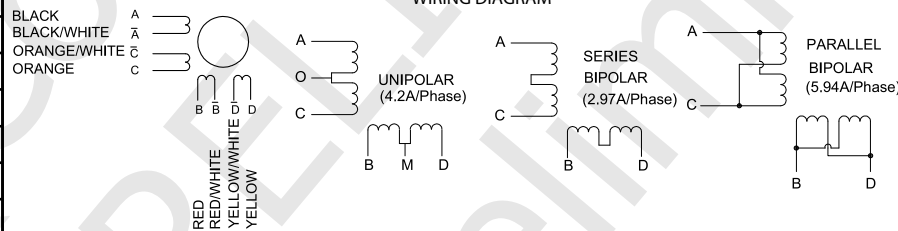
STEP ANGLE	1.8° ±5%
RATED CURRENT	4.20 Amps/Ph
HOLDING TORQUE	5.00 Nm Min.
RESISTANCE	0.75 ohm ±0.15 at 25°C
INDUCTANCE	3.10 mH ±20% at 1kHz, 1Vrms
ROTOR INERTIA	1878 g.cm ²
INSULATION CLASS	Class B, 130°C
DIELECTRIC STRENGTH	500 Vac 1 minute
IP CODE	IP20
PULL OUT TORQUE	---
BACK EMF	---
DETENT TORQUE	---
WEIGHT	1800 g. approx
TEMPERATURE RISE	80K Max.
OPERATING TEMPERATURE	-20°C ~ +50°C
STORAGE TEMPERATURE	-20°C ~ +70°C
SHAFT AXIAL LOAD	60 N
SHAFT RADIAL LOAD	220 N (ON FRONT SHAFT END)



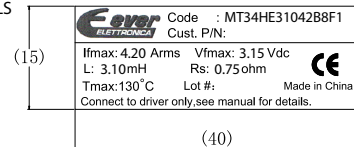
GROUND LABEL



C-C' VIEW



LABELS



YYWWXXXXX (25 x 8)
Stator barcode label

MT34HE31042B8F1
STEPPING MOTOR SPECIFICATION



www.everelettronica.it

UNIT: mm	DESIGN	Stm01009-01c
UNLESS OTHERWISE SPECIFIED TOLERANCES	CHECK	
DIMENSIONS : ±0.3 mm DEGREES : ±5%	APPROVED	
DRAWING NOT TO SCALE	DATE	20 / 06 / 2019
REV	01b - First release with new drawing.	
	01b - Correct the rear cover size.	