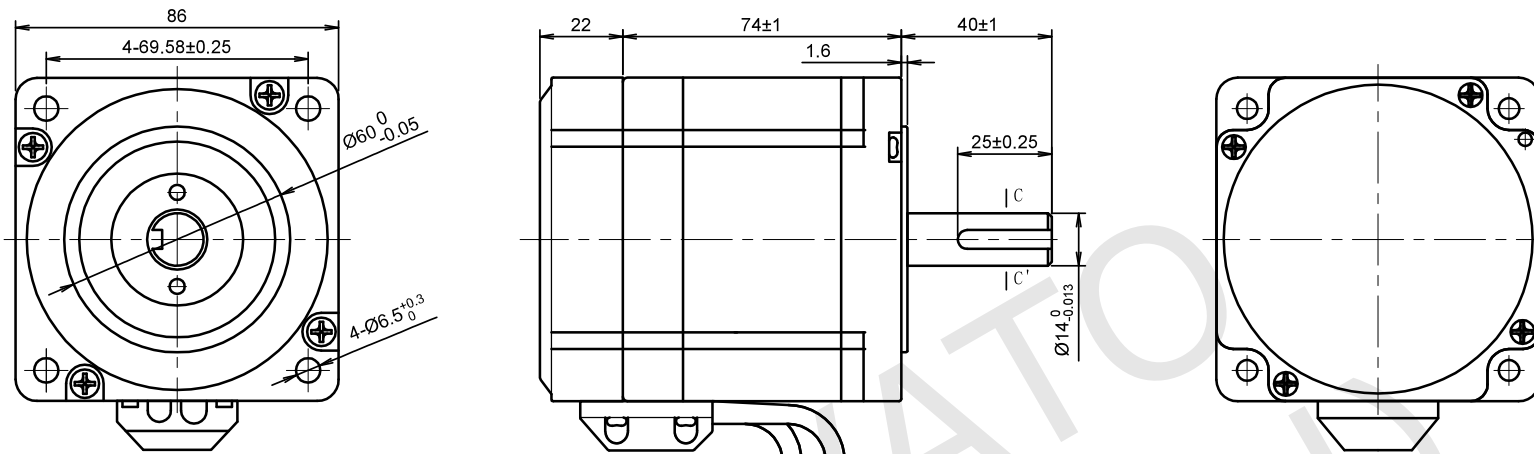


RoHS



ENCODER SPECIFICATIONS

ENCODER TYPE	Incremental quadrature
POWER SUPPLY	5.00 Vdc
RESOLUTION	1000 ppr
OUTPUT TYPE	Line driver

MOTOR SPECIFICATIONS

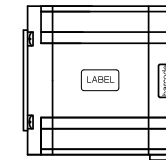
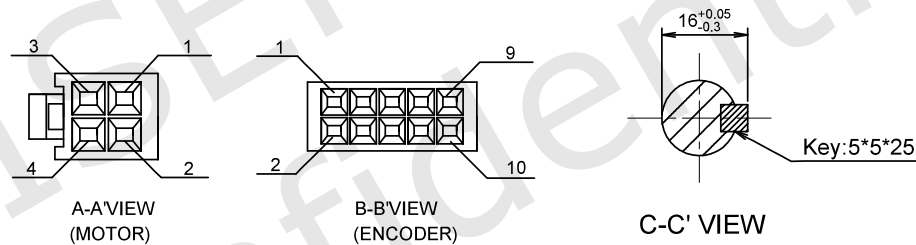
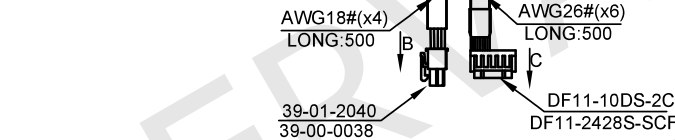
STEP ANGLE	1.8° ±5%
RATED CURRENT	6.00 Amps/Ph
HOLDING TORQUE	4.20 Nm Min.

RESISTANCE	0.34 ohm ±0.1 at 25°C
INDUCTANCE	2.70 mH ±20% at 1kHz, 1 Vrms
ROTOR INERTIA	1900 g.cm ²
INSULATION CLASS	Class B, 130°C
DIELECTRIC STRENGTH	500 Vac 1 minute

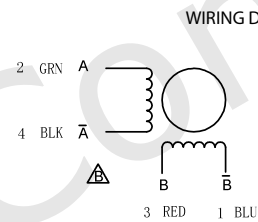
IP CODE	IP20
PULL OUT TORQUE	---

BACK EMF	---
DETENT TORQUE	---
WEIGHT	2300 g. approx

TEMPERATURE RISE	80K Max.
OPERATING TEMPERATURE	-20°C ~ +50°C
STORAGE TEMPERATURE	-20°C ~ +70°C
SHAFT AXIAL LOAD	60 N
SHAFT RADIAL LOAD	220 N (ON FRONT SHAFT END)



NOTE: BLACK ENDBELLS



WIRING DIAGRAM

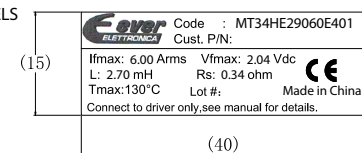
ENCODER		
PIN NO.	LEAD WIRES	FUNCTION
10	BLK	GND
9	RED	+5V
8	BLU/WHT	A/
7	BLU	A
6	ORG/WHT	B/
5	ORG	B

EXCITING SEQUENCE (TWO PHASES) VS. DIRECTION OF ROTATION

STEP	DIRECTION OF ROTATION			
	A	B	A-bar	B-bar
1	+	+	-	-
2	-	+	+	-
3	-	-	+	+
4	+	-	-	+

CLOCK WISE VIEW FROM MOUNTING SIDE

LABELS



YYWWXXXXX (25 x 8)
Stator barcode label

UNIT: mm
UNLESS OTHERWISE SPECIFIED TOLERANCES
DIMENSIONS : ±0.3 mm DEGREES : ±5%
ORTHOGRAPHIC PROJECTION

SPECIFICATION	Stm02435-00c
DESIGNER	Ever China
CHECK	Mario Bianchi
APPROVED	Matteo Caldi
DATE	06 / 08 / 2024

MT34HE29060E401
STEPPING MOTOR SPECIFICATION

