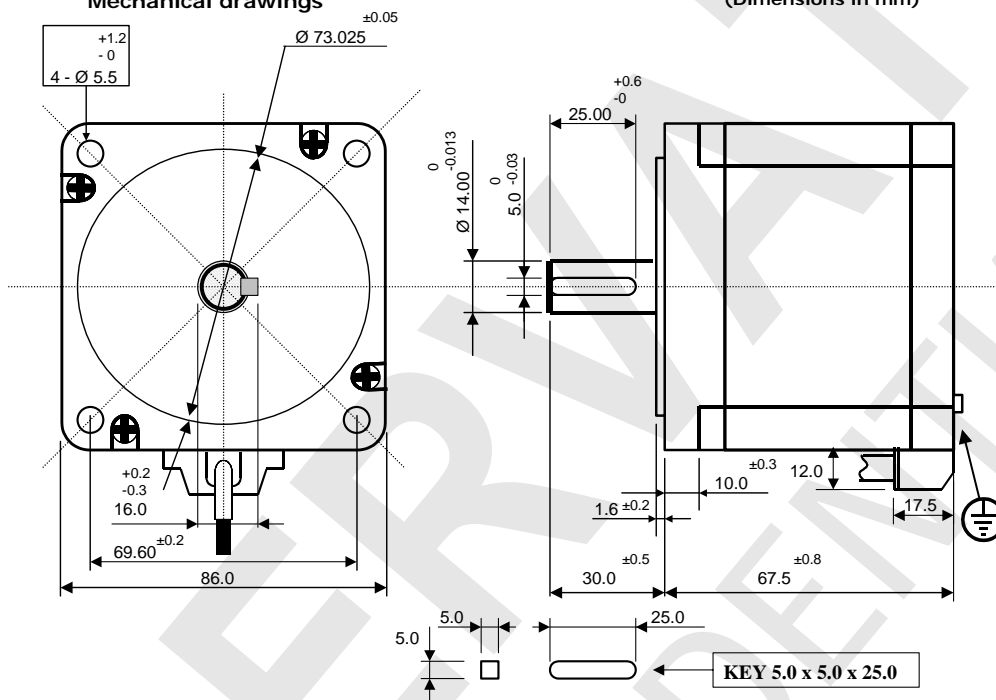


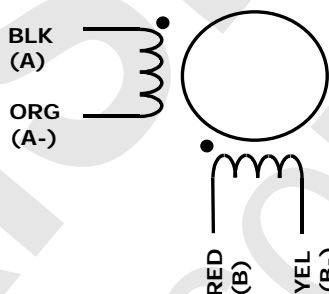
Motor Size	3.4" – 86 mm square shape	Step Angle	1,8° ±5%
Front Shaft	30.0 mm length – Ø 14.00 mm with key 5.0x5.0x25.0 mm	Rear Shaft	None
Lead wires	#4 lead wires for bipolar parallel connections	Lead Wire Length	400 mm±10mm with tube
Winding	Bipolar parallel	Insulation class	Class B
Rated Voltage	1.38 Volt	Rated Current	6.00 Amps/phase
Phase Resistance	0.23 ohm ±0.1	Phase Inductance	1.72 mH ±20%
Rotor Inertia	950 g.cm²	Bipolar Holding Torque	3.60 Nm min.
Ambient temperature	-20°C ~ +40°C	Temperature rise	80K max
Shaft thrust load	60 N	Shaft radial load	220 N (at shaft end)

Mechanical drawings

(Dimensions in mm)



Connection lead wires color diagram

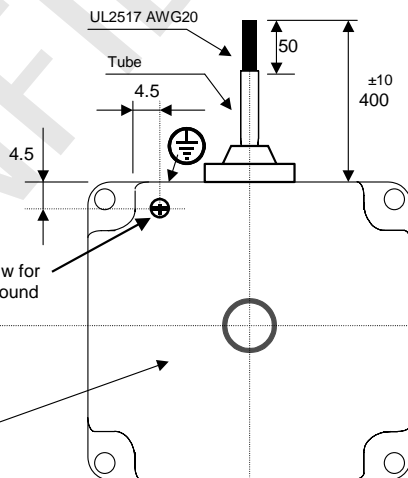


Motor Labelling

Label type: alluminum adhesive label



Rear flange



	MOTOR SPECIFICATION: STM00981-01b	DATE: November, 28th 2016	CUSTOMER APPROVAL: _____
	EVER P/N: MT34HE26060M4K2		CUSTOMER CODE: _____