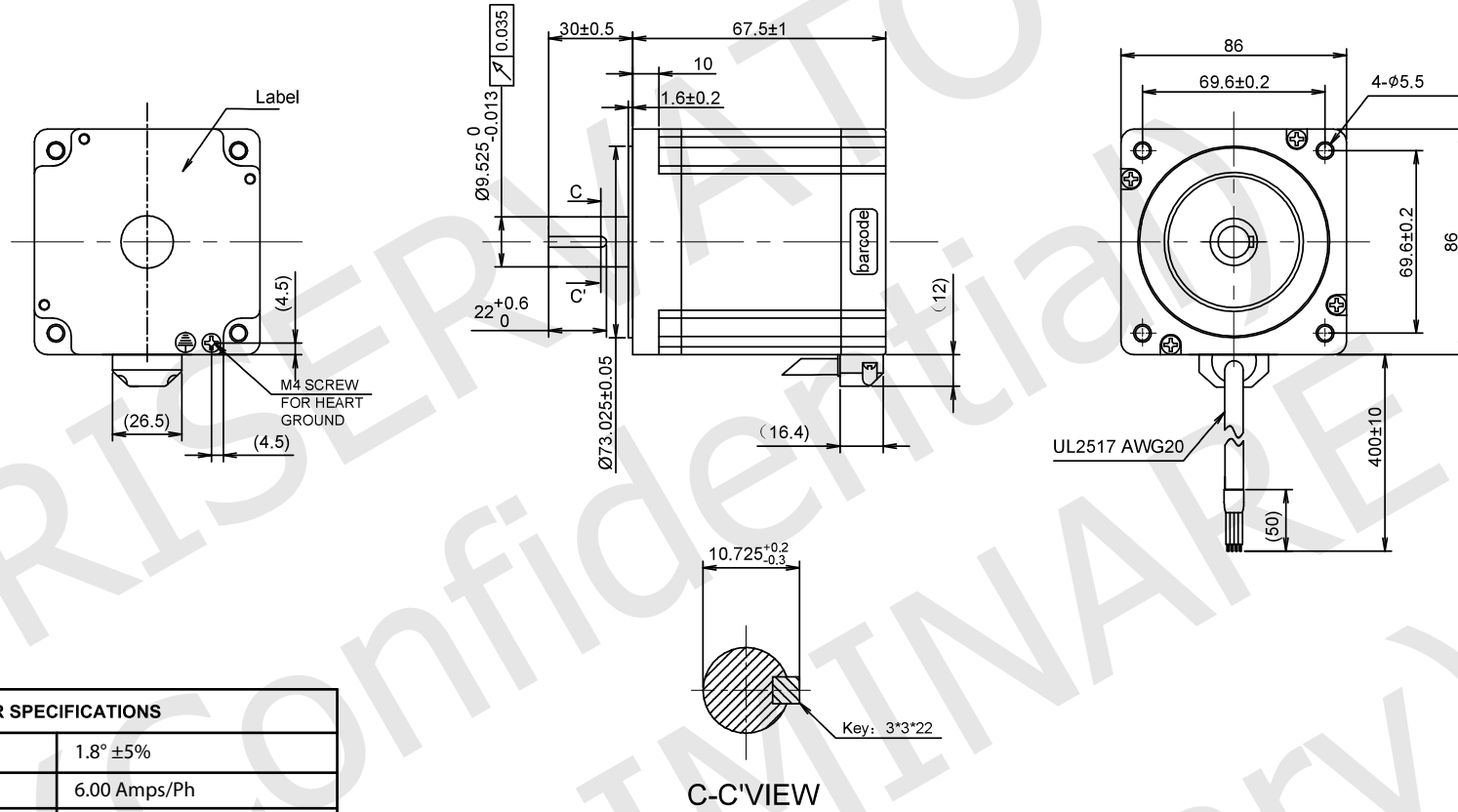
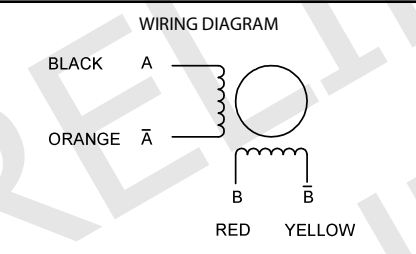


RoHS



MOTOR SPECIFICATIONS	
STEP ANGLE	1.8° ±5%
RATED CURRENT	6.00 Amps/Ph
HOLDING TORQUE	3.60 Nm Min.
RESISTANCE	0.23 ohm ±0.1 at 25°C
INDUCTANCE	1.72 mH ±20% at 1kHz, 1Vrms
ROTOR INERTIA	1100 g.cm ²
INSULATION CLASS	Class B, 130°C
DIELECTRIC STRENGTH	750 Vac 1 minute
IP CODE	IP40
PULL OUT TORQUE	---
BACK EMF	---
DETENT TORQUE	---
WEIGHT	1800 g. approx
TEMPERATURE RISE	80K Max.
OPERATING TEMPERATURE	-20°C ~ +40°C
STORAGE TEMPERATURE	-20°C ~ +70°C
SHAFT AXIAL LOAD	60 N
SHAFT RADIAL LOAD	220 N (ON THE SHAFT END)



EXCITING SEQUENCE (TWO PHASES) VS. DIRECTION OF ROTATION

STEP	A	B	Ā	B̄	
1	+	+	-	-	CW ↓ CCW ↑ CLOCK WISE VIEW FROM MOUNTING SIDE
2	-	+	+	-	
3	-	-	+	+	
4	+	-	-	+	

LABELS

YYWWXXXXX (25 x 8)
Stator barcode label

UNIT: mm
UNLESS OTHERWISE SPECIFIED TOLERANCES
DIMENSIONS : ±0.3 mm DEGREES : ±5%
ORTHOGRAPHIC PROJECTION

DESIGN	Stm00950-01a
CHECK	
APPROVED	
DATE	11 / 07 / 2022

MT34HE26060M4K1
STEPPING MOTOR SPECIFICATION

REV	01a - First release with new drawing layout.