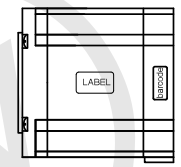
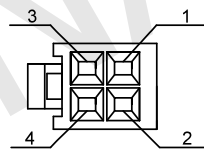
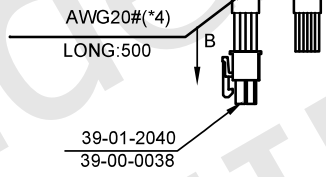
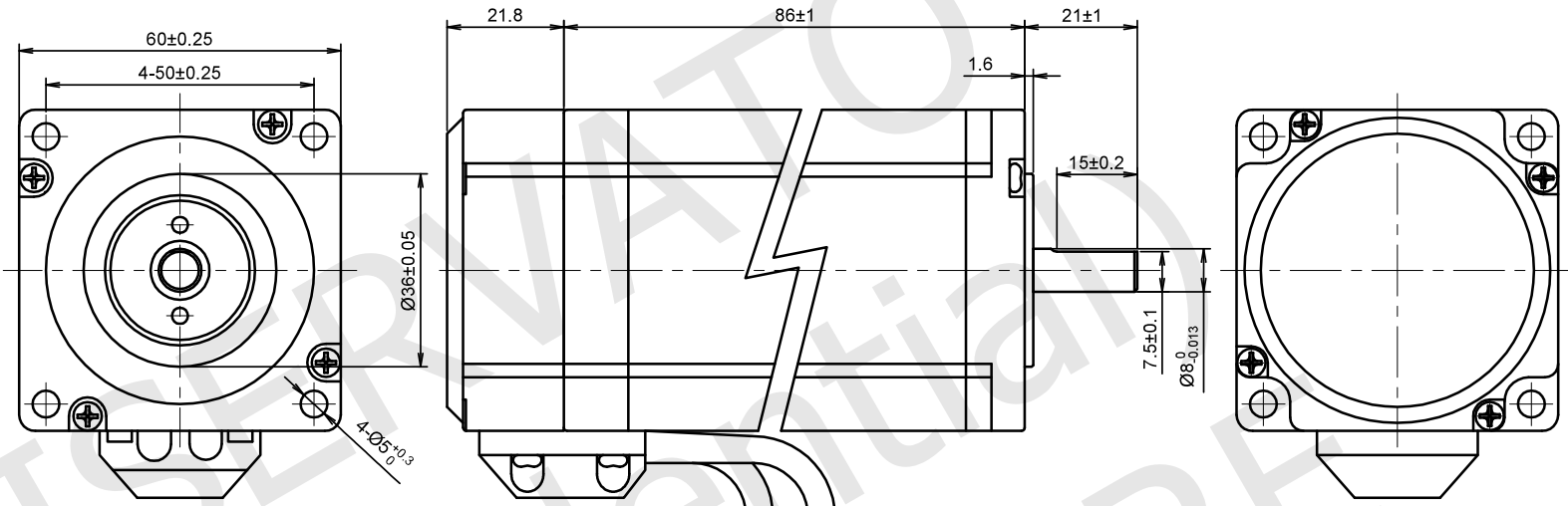


RoHS



**ENCODER SPECIFICATIONS**

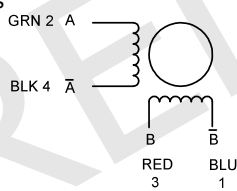
ENCODER TYPE	Incremental quadrature
POWER SUPPLY	5.00 Vdc
RESOLUTION	1000 ppr
OUTPUT TYPE	Line Driver

**MOTOR SPECIFICATIONS**

STEP ANGLE	1.8° ±5%
RATED CURRENT	5.00 Amps/Ph
HOLDING TORQUE	3.00 Nm Min.
RESISTANCE	0,45 ohm ±10% at 25°C
INDUCTANCE	1.80 mH ±20% at 1kHz, 1 Vrms
ROTOR INERTIA	900 g.cm <sup>2</sup>
INSULATION CLASS	Class B, 130°C
DIELECTRIC STRENGTH	500 Vac 1 minute
IP CODE	IP40
PULL OUT TORQUE	---

**NOTE: BLACK ENDBELLS**

**WIRING DIAGRAM**



ENCODER	
BLK	GND
RED	+5V
BLU/WHT	A/
BLU	A
ORG/WHT	B/
ORG	B

**EXCITING SEQUENCE(TWO PHASES) VS. DIRECTION OF ROTATION**

STEP	A	B	$\bar{A}$	$\bar{B}$	
1	+	+	-	-	
2	-	+	+	-	
3	-	-	+	+	
4	+	-	-	+	

CLOCK WISE VIEW FROM MOUNTING SIDE

**LABELS**

Code : MT24HE35050E402  
Cust. P/N:

Ifmax: 5,00Arms Vfmax: 2,25Vdc  
 L: 1,80 mH Rs: 0,45ohm  
 Tmax: 130°C Lot #: Made in China  
 Connect to driver only, see manual for details.

YYWWXXXXX (25 x 8)  
Stator barcode label

BACK EMF	---
DETENT TORQUE	---
WEIGHT	1500 g. approx
TEMPERATURE RISE	80K Max.
OPERATING TEMPERATURE	-20°C ~ +50°C
STORAGE TEMPERATURE	-20°C ~ +70°C
SHAFT AXIAL LOAD	15 N
SHAFT RADIAL LOAD	75 N (ON FRONT SHAFT END)

UNIT: mm  
UNLESS OTHERWISE SPECIFIED TOLERANCES  
DIMENSIONS ±0.3 mm DEGREES ±5%

DESIGN	Stm02342-00a
CHECK	
APPROVED	
DATE	03 / 08 / 2021

REV	00a - First release.

**MT24HE35050E402**  
STEPPING MOTOR SPECIFICATION

the clever drive  
 www.evereltronica.it