

MOTOR TECHNICAL SPECIFICATION

M-06-STP

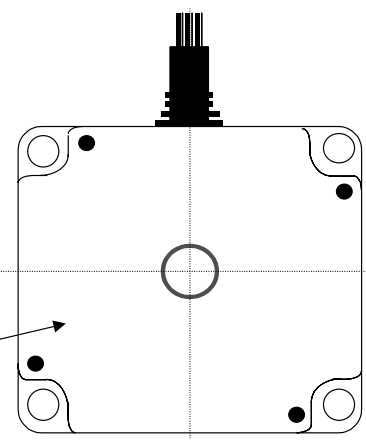
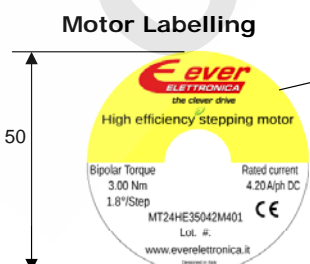
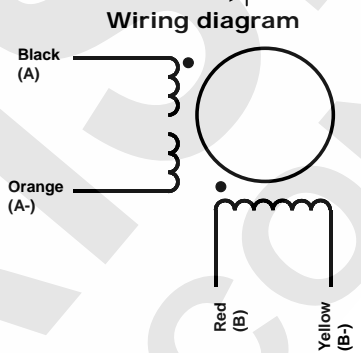
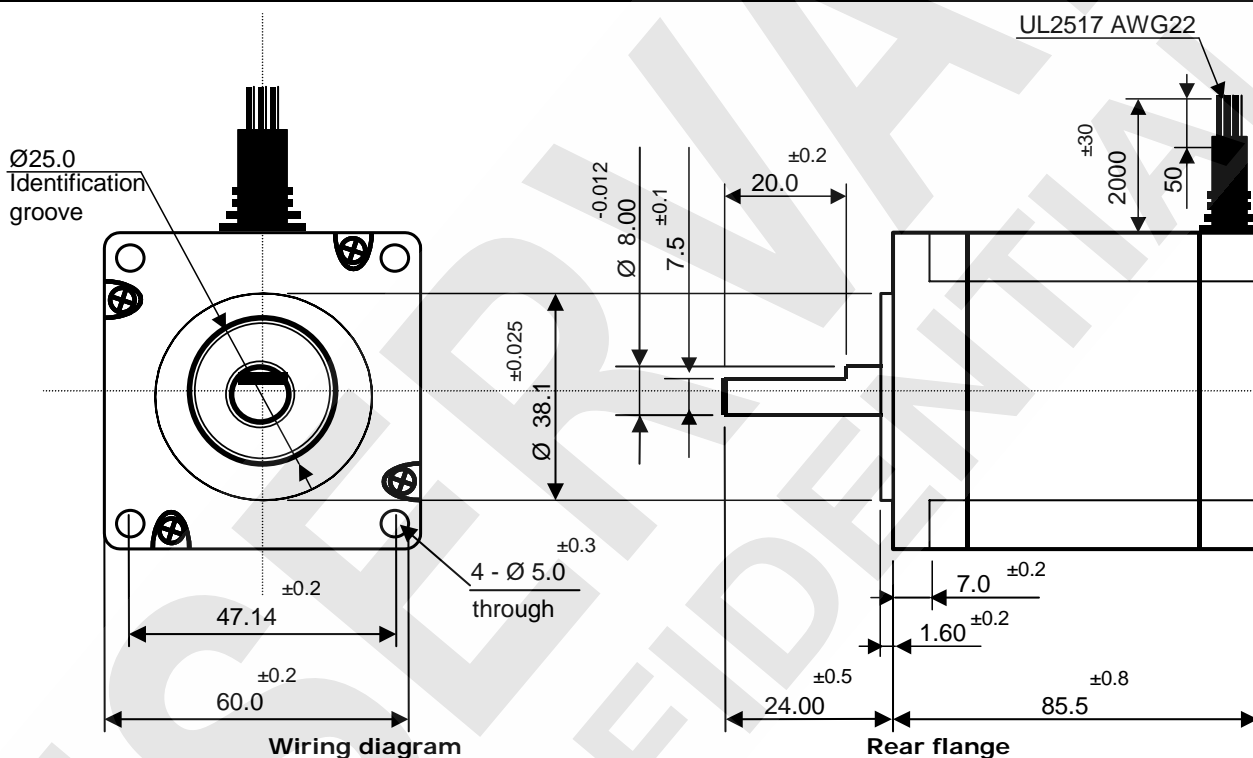


Red. : Bianchi Mario

Doc: **MT24HE35042M401 - 01e**

Date : 02/12/2015

| | | | |
|-------------------|--|------------------------|--|
| Motor size | 2.4" - 60 mm square shape | Step Angle | 1,8° ±5% |
| Front Shaft | 24.00 mm length - Ø 8.0 mm with D-cut 7.5 x 20.0 mm | Rear Shaft | None |
| Lead wires | # 4 lead wires | Lead Wire Length | 2000 mm ±10% with tubed lead wires and rubber gomet |
| Rated Voltage | 3.80 Volt | Rated Current | 4.20 Amps |
| Resistance | 0.90 ohm ±15% | Inductance | 3.00 mH ±20% |
| Winding | Bipolar parallel | Bipolar Holding Torque | 3.00 Nm min. |
| Rotor Inertia | 810 g.cm.² | Insulation class | Class B, 130°C |
| Oper. Amb. Temp. | -20°C ~ +40°C | Temperature rise | 80K max. |
| Thrust shaft load | 15 N | Radial shaft load | 75 N (at front shaft end) |



| | | | |
|--|-----------------------------------|--------------------------|--------------------------|
| | Motor specification: STM01060-01e | Date: December, 2nd 2015 | Customer approval: _____ |
| | Ever motor code: MT24HE35042M401 | | Customer code: _____ |