

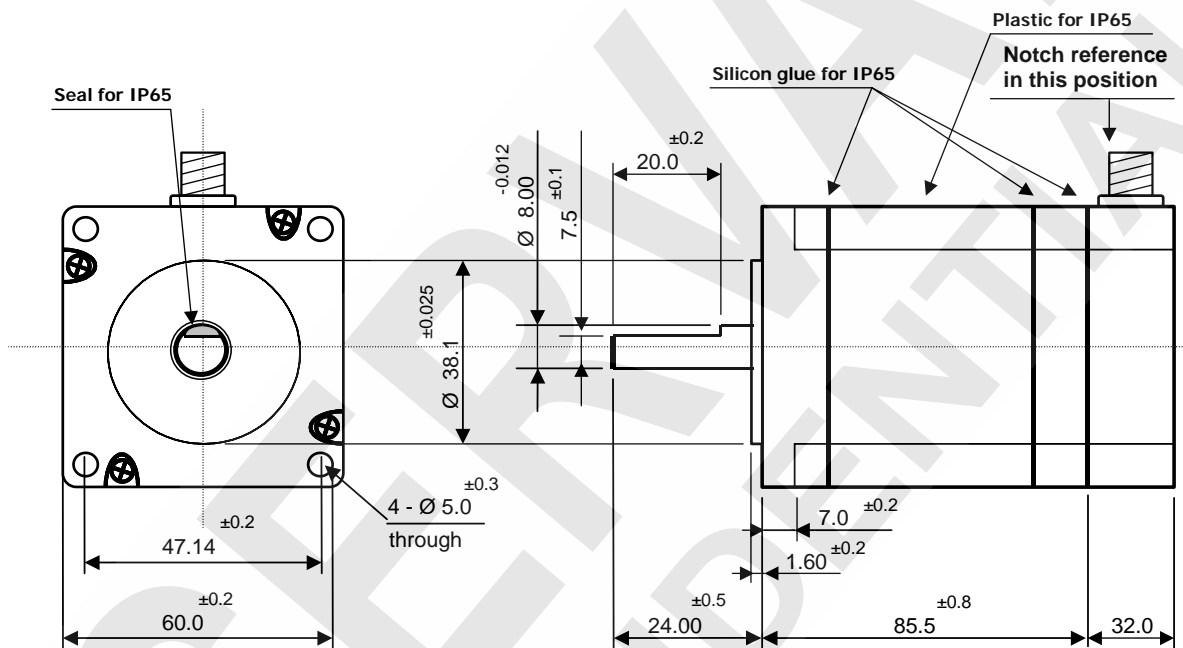
MOTOR TECHNICAL SPECIFICATION

Red. : Bianchi Mario

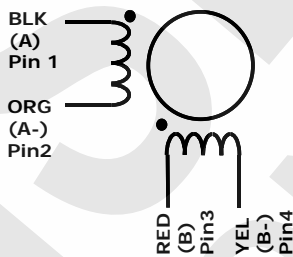
Doc: **MT24HE35030M401 - 00e**

Date : 11/12/2015

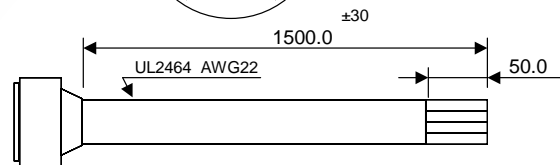
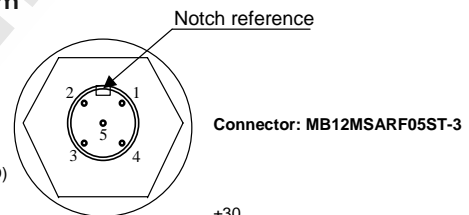
Motor size	2.4" – 60 mm square flange	Step Angle	1,8° ±5%
Front Shaft	24.00 mm length – Ø 8.0 mm with D-cut 7.5 x 20.0 mm	Rear Shaft	None
Lead wires	# 4 pin on connector on board	Lead Wire Length	1500 mm ±30
Rated Voltage	3.81 Volt	Rated Current	3.00 Amps
Resistance	1.27 ohm ±15%	Inductance	5.10 mH ±20%
Winding	Bipolar parallel	Bipolar Holding Torque	2.70 Nm min.
Rotor Inertia	810 g.cm.²	Insulation class	B, 130°C
Ambient temperature	-20° C ~ + 40° C	Temperature rise	80K max
Shaft thrust load	15 N	Shaft radial load	75 N (at the shaft end)
Protection	IP65		



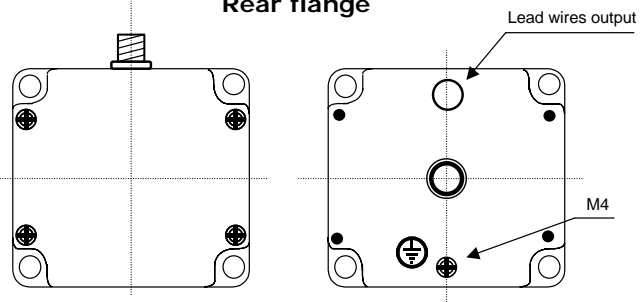
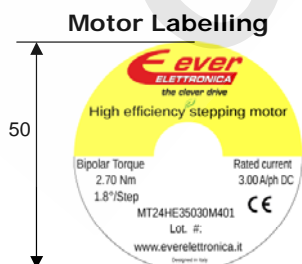
Wiring diagram



- Motor Pinout**
 1 - Brown (A)
 2 - White (A-)
 3 - Blue (B)
 4 - Black (B-)
 5 - Gray (GND)



Rear flange



	Motor specification: STM01236-01e	Date: December, 11th 2015	Customer approval: _____
	Ever motor code: MT24HE35030M401		Customer code: _____