



EVER s.n.c. di ING:
Via del commercio 2/4
26900 Lodi - Italy
tel. +39-0371-412318
fax +39-0371-412367
mail

web www.everelettronica.it
infoever@everelettronica.it

MOTOR TECHNICAL SPECIFICATION

M-06-STP



Red. : Bianchi Mario

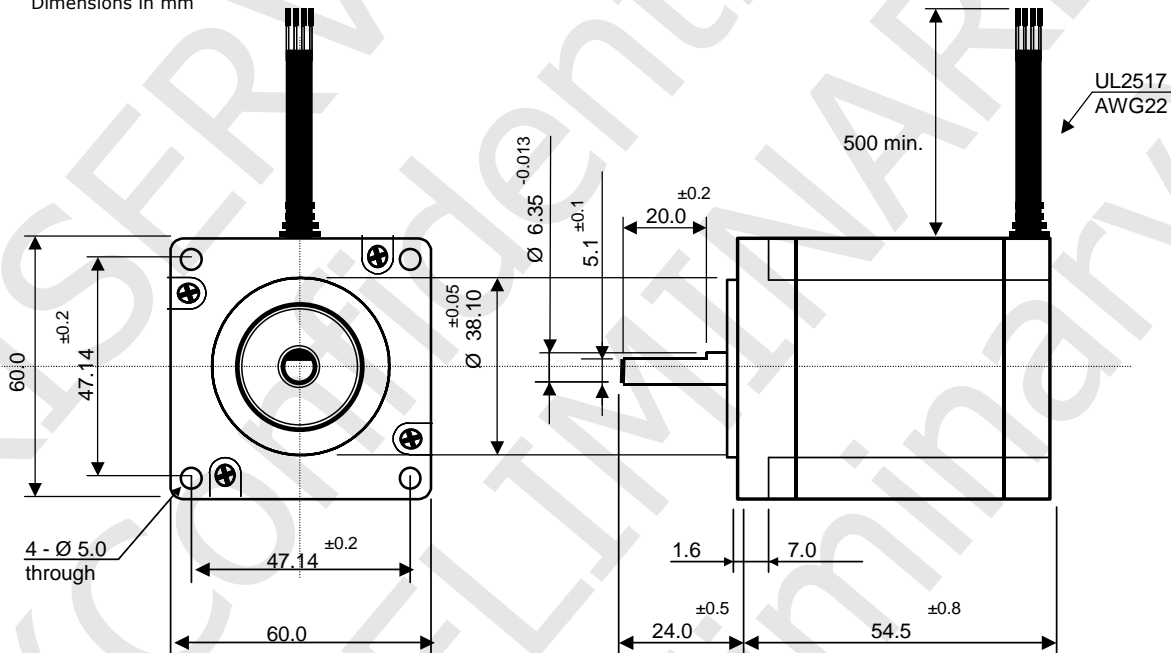
Doc: **MT24HE22028M402 - 01a**

Date : 29/03/2018

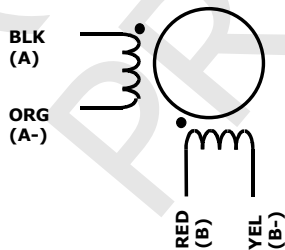
Motor size	2.4" - 60 mm square flange	Step Angle	1.8° ±5%
Front Shaft	24.00 mm length - Ø 6.35 mm with D-cut 1.25 x 20 mm as dwg	Rear Shaft	None
Lead wires	# 4 lead wires UL2517 AWG22	Lead Wire Length	500 mm min.
Rated Voltage	3.40 Volt	Rated Current	2.80 Amps
Resistance	1.20 ohm ±10%	Inductance	4.00 mH ±20%
Winding	Bipolar	Bipolar Holding Torque	1.60 Nm min.
Dielectric strength	500 Vac 1 minute	Insulation resistance	100 Mohm min.
Rotor Inertia	450 g.cm.²	Insulation class	Class B, 130°C
Ambient temperature	-20° C ~ + 40° C	Temperature rise	80K max
Shaft thrust load	15 N	Shaft radial load	75 N (at the shaft end)

Mechanical drawing

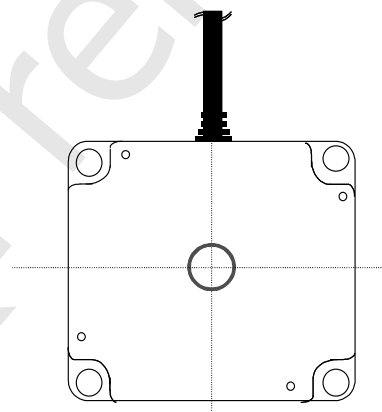
Dimensions in mm



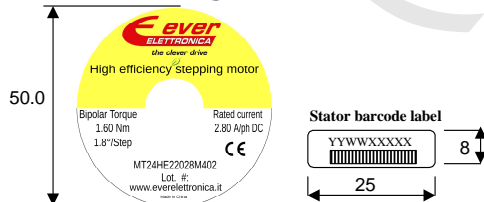
Wiring diagram



Rear flange



Motor Labelling



	Motor specification: Stm01542-01a	DATE: March, 29th 2018	
	Motor code: MT24HE22028M402		CODICE CLIENTE: