

MOTOR TECHNICAL SPECIFICATION

M-06-STP



Red. : Bianchi Mario

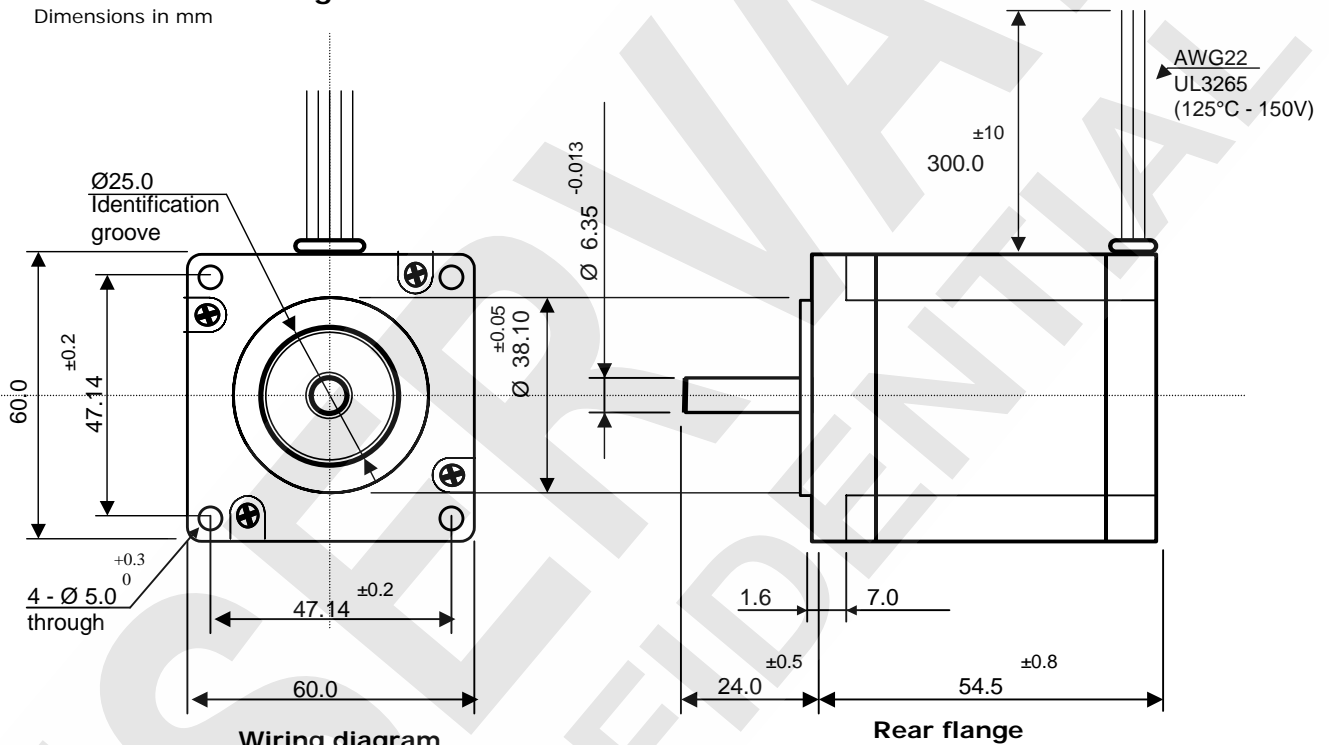
Doc: **MT24HE22020M801 - 00e**

Date : 02/12/2015

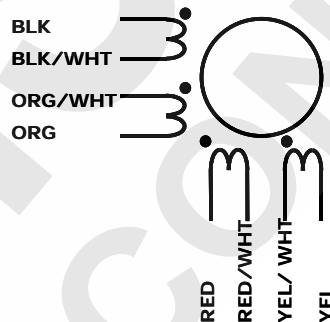
Motor size	2.4" - 60 mm square flange	Step Angle	1,8° ±5%
Front Shaft	24.00 mm length - Ø 6.35 mm	Rear Shaft	None
Lead wires	# 8 lead wires	Lead Wire Length	300 mm ±10%
Rated Voltage	4.40 Volt	Rated Current	2.00 Amps
Resistance	2.20 ohm ±15%	Inductance	3.20 mH ±20%
Winding	Unipolar for bipolar parallel or bipolar serie connections	Bipolar Holding Torque	1.60 Nm min.
Rotor Inertia	450 g.cm.²	Insulation class	Class B, 130°C
Ambient temperature	-20° C ~ + 40° C	Temperature rise	80K max
Shaft thrust load	15 N	Shaft radial load	75 N (at the shaft end)

Mechanical drawing

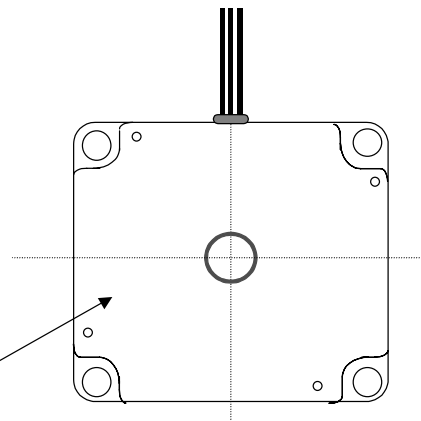
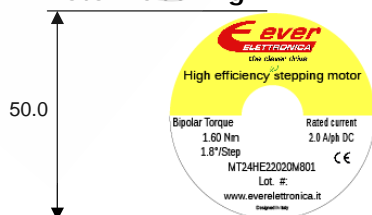
Dimensions in mm



Wiring diagram



Motor Labelling



	Motor specification: STM01122-00e	DATE: December, 2nd 2015	
	Motor code: MT24HE22020M801		CODICE CLIENTE: