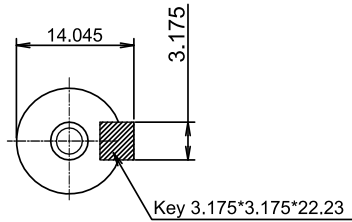
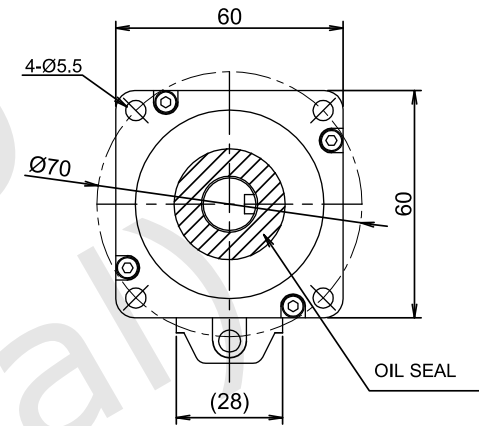
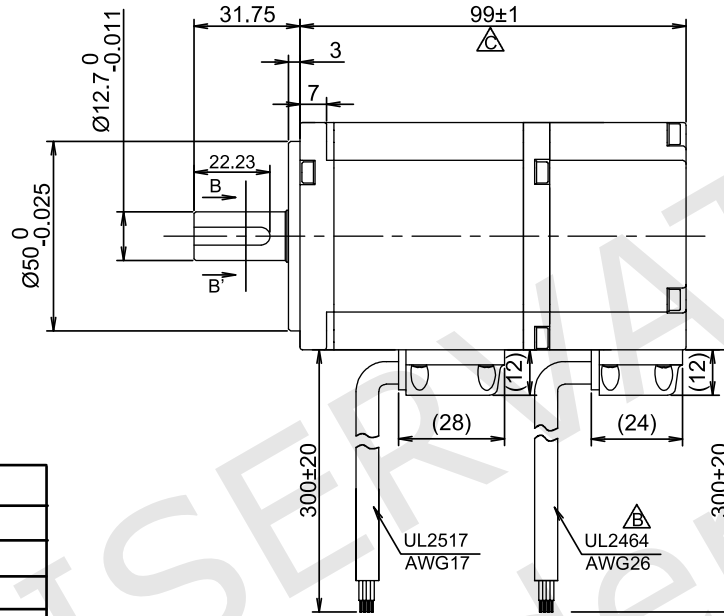


RoHS



B-B' VIEW



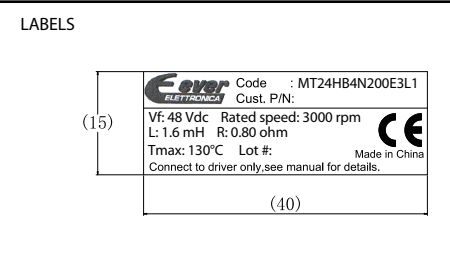
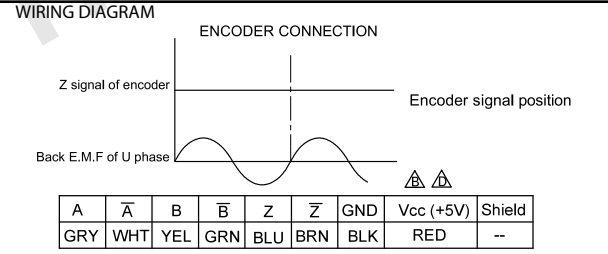
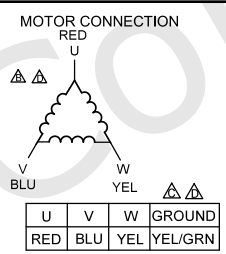
ENCODER SPECIFICATIONS	
ENCODER TYPE	Incremental
POWER SUPPLY	5 Vdc
RESOLUTION	1000 ppr
OUTPUT TYPE	Line driver

MOTOR SPECIFICATIONS	
APPLIED VOLTAGE	48 Vdc
PHASES	3
POLES	8

RATED CURRENT	6.10 A
PEAK CURRENT	18.30 A
RATED POWER	200 W
RATED TORQUE	0.64 Nm
PEAK TORQUE	1.92 Nm
TORQUE COEFFICIENT	0.105 Nm/A
INSULATION CLASS	B

RATED SPEED	3000 rpm ±10%
PEAK SPEED	5000 rpm ±10%
IP CODE	IP65 (except for the shaft extension)

LINE TO LINE RESISTANCE	0.80 ohm ±0.15
LINE TO LINE INDUCTANCE	1.60 mH ±20%
WEIGHT	1000 g.
BACK E.M.F.	---
ROTOR INERTIA	200 g.cm <sup>2</sup>



UNIT: mm  
 UNLESS OTHERWISE SPECIFIED TOLERANCES  
 DIMENSIONS : ±0.3 mm DEGREES : ±5%

SPECIFICATION	Stm01957-01d
DESIGNER	Ever China
CHECK	Mario Bianchi
APPROVED	Matteo Caldi
DATE	04 / 03 / 2024

# MT24HB4N200E3L1

## STEPPING MOTOR SPECIFICATION

