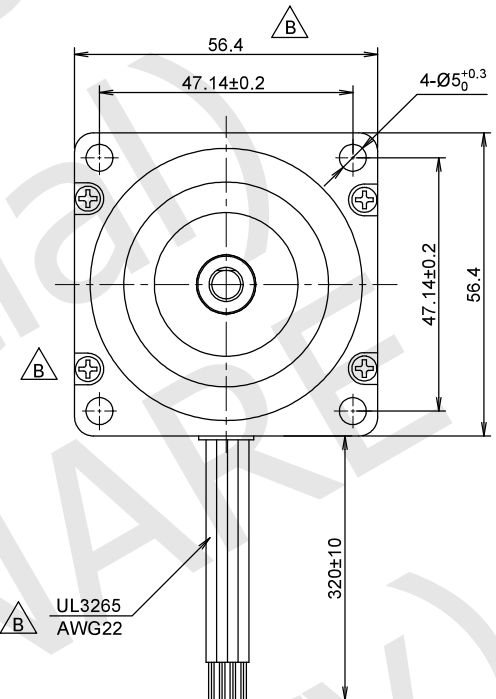
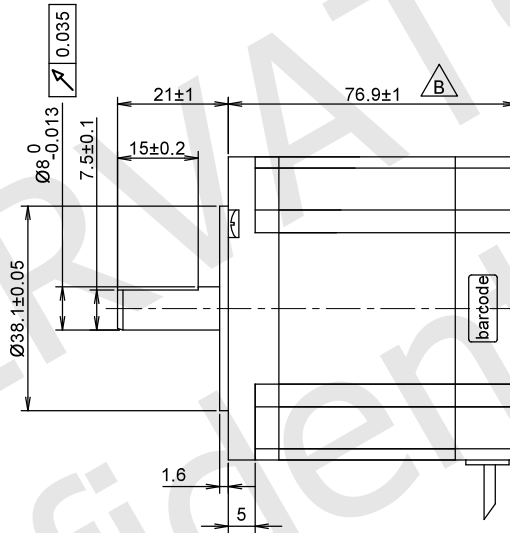
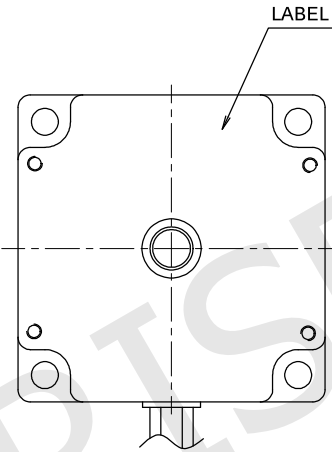
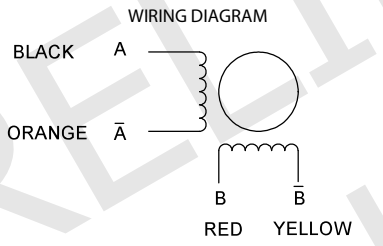


RoHS



MOTOR SPECIFICATIONS

STEP ANGLE	1.8° ±5%
RATED CURRENT	5.00 Amps/Ph
HOLDING TORQUE	2.20 Nm Min.
RESISTANCE	0.46 ohm ±0.1 at 25°C
INDUCTANCE	1.83 mH ±20% at 1kHz, 1Vrms
ROTOR INERTIA	600 g.cm ²
INSULATION CLASS	Class B, 130°C
DIELECTRIC STRENGTH	500 Vac 1 minute
IP CODE	IP20
PULL OUT TORQUE	---
BACK EMF	---
DETENT TORQUE	---
WEIGHT	1300 g. approx
TEMPERATURE RISE	80K Max.
OPERATING TEMPERATURE	-20°C ~ +50°C
STORAGE TEMPERATURE	-20°C ~ +70°C
SHAFT AXIAL LOAD	15 N
SHAFT RADIAL LOAD	75 N (ON FRONT SHAFT END)



EXCITING SEQUENCE (TWO PHASES) VS. DIRECTION OF ROTATION

STEP	A	B	Ā	B̄
1	+	+	-	-
2	-	+	+	-
3	-	-	+	+
4	+	-	-	+

CLOCK WISE VIEW FROM MOUNTING SIDE

LABELS

YYWWXXXX (25 x 8)
Stator barcode label

UNIT: mm	DESIGN	Stm01742-00b
UNLESS OTHERWISE SPECIFIED TOLERANCES	CHECK	
DIMENSIONS : ±0.3 mm DEGREES : ±5%	APPROVED	
DRAWING NOT TO SCALE	DATE	15 / 09 / 2022

MT23HE31050M401
STEPPING MOTOR SPECIFICATION

REV	00a - First release.
	00b - Change the front flange, the motor length, the resistance and inductance and lead wires.