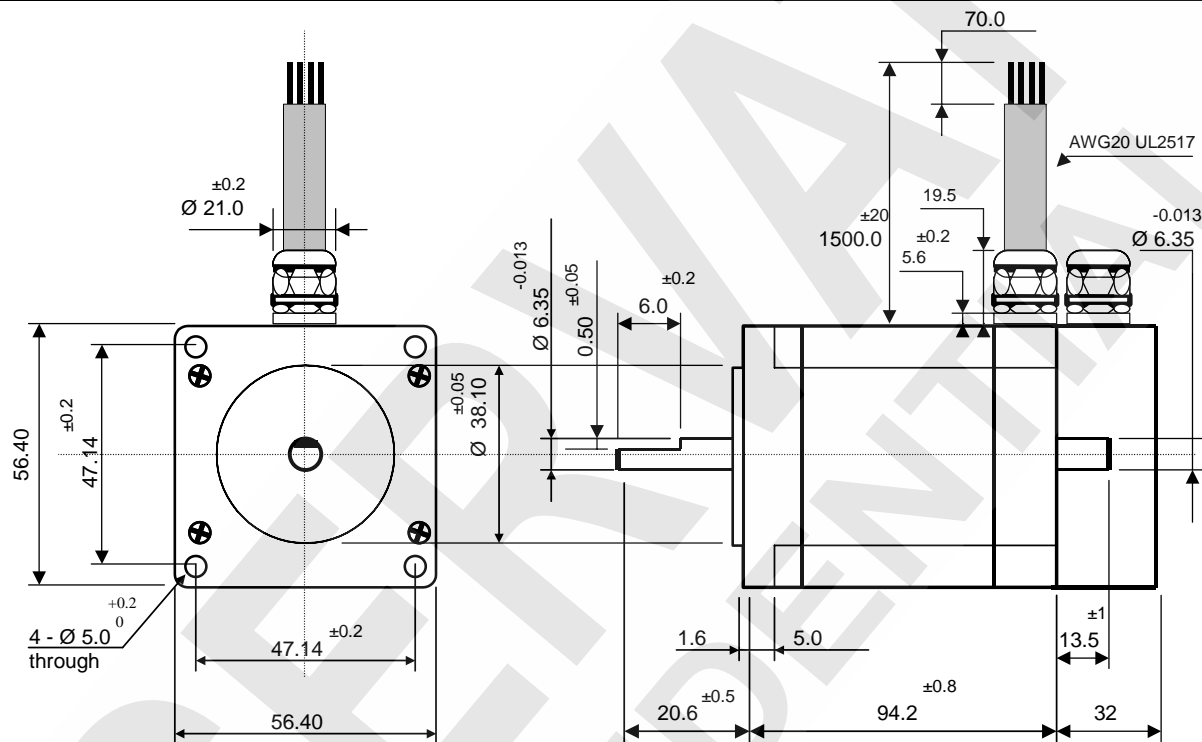
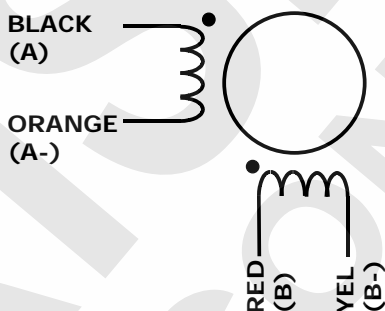


Motor Size	2.3" – 57 mm square shape	Step Angle	1,8° ±5%
Front Shaft	20.6 mm length – Ø 6.35 mm with D-cut 0.5 x 6.0 mm as dwg	Rear Shaft	13.5 mm length – Ø 6.35 mm
Winding	# 4 lead wires	Lead Wire Length	1500 mm ±20mm with tube and cable conduit
Rated Voltage	2.52 Volt	Rated Current	4.20 Amps/phase
Resistance	0.60 ohm ±10%	Inductance	1.77 mH ±20%
Motor Rotor Inertia	480 g.cm ²	Motor Holding Torque	2.20 Nm
Protection class	IP65	Insulation class	Class B



Wiring diagram

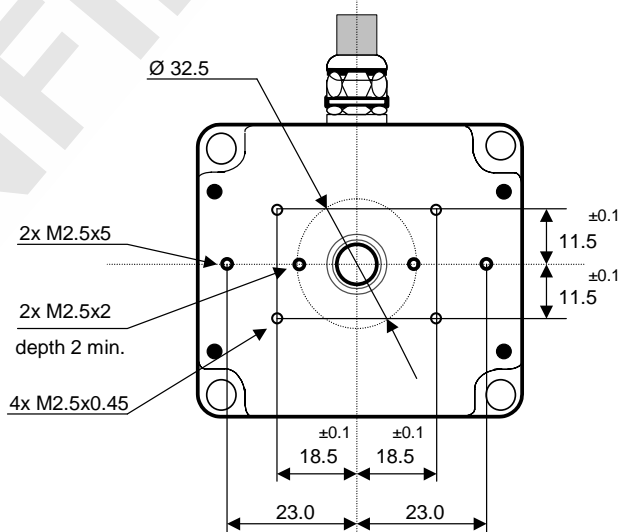


Motor Labelling

Label type: alluminum adhesive label



Inside rear flange



	Motor specification: STM00957-04d	DATE: March, 31st 2014	APPROVAZIONE CLIENTE: _____
	Motor code: MT23HE31042B4P1		CODICE CLIENTE: _____