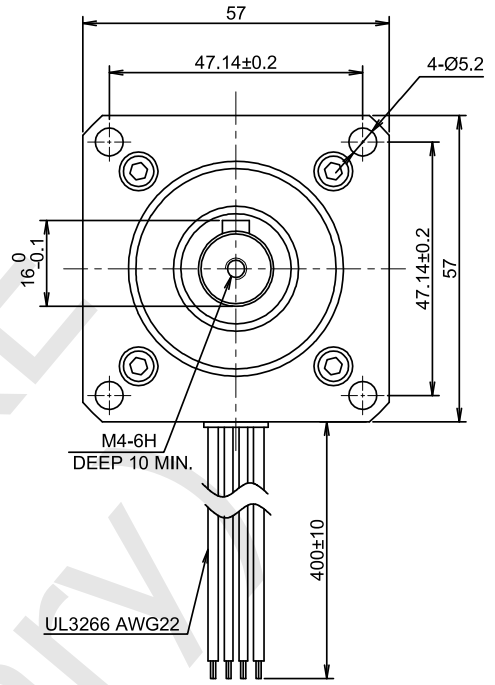
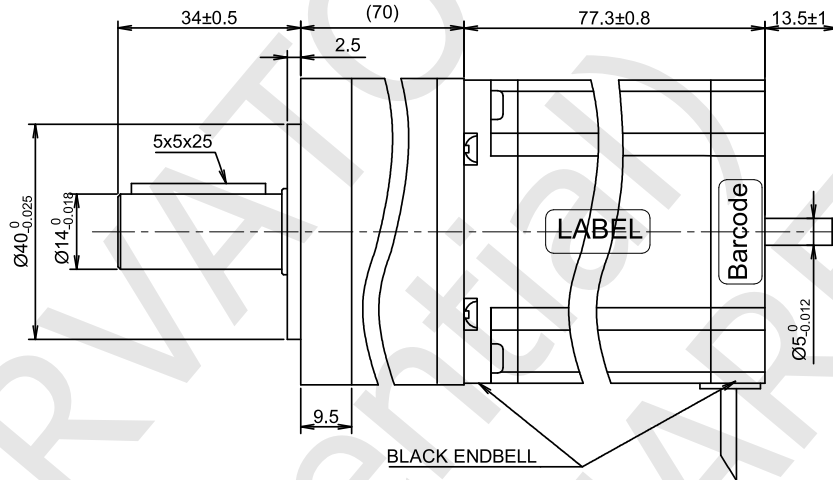
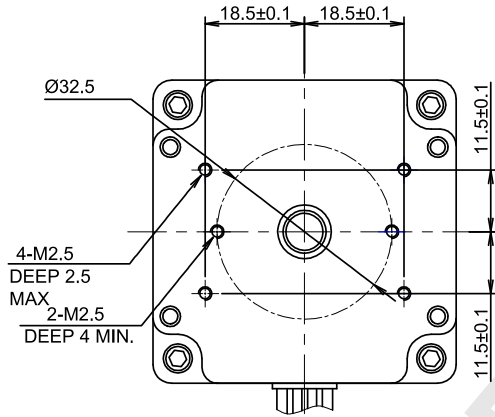
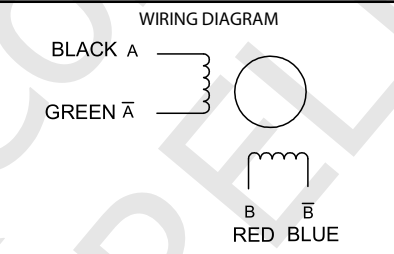


RoHS



GEARBOX SPECIFICATIONS	
GEARBOX TYPE	PLANETARY
GEARBOX RATIO	1:30
PRECISION	25 arcmin
GEARBOX EFFICIENCY	90%
GEARBOX LIFE	5000H

MOTOR SPECIFICATIONS	
STEP ANGLE	1.8° ±5%
RATED CURRENT	4.20 Amps/Ph
HOLDING TORQUE	2.00 Nm Min.
RESISTANCE	0.50 ohm ±0.15 at 25°C
INDUCTANCE	1.77 mH ±20% at 1kHz, 1Vrms
ROTOR INERTIA	500 g.cm ²
INSULATION CLASS	Class B, 130°C
DIELECTRIC STRENGTH	500 Vac 1 minute
IP CODE	IP20
PULL OUT TORQUE	---
BACK EMF	---
DETENT TORQUE	---
WEIGHT	2200 g. approx
TEMPERATURE RISE	80K Max.
OPERATING TEMPERATURE	-20°C ~ +50°C
STORAGE TEMPERATURE	-20°C ~ +70°C
SHAFT AXIAL LOAD	15 N
SHAFT RADIAL LOAD	75 N (ON FRONT SHAFT END)



EXCITING SEQUENCE(TWO PHASES) VS.DIRECTION OF ROTATION

STEP	A	B	Ā	B̄
1	+	+	-	-
2	-	+	+	-
3	-	-	+	+
4	+	-	-	+

CLOCKWISE VIEW FROM MOUNTING SIDE

LABELS

(40)

YYWWXXXXX (25 x 8)

Stator barcode label

UNIT: mm	DESIGN	Stm00963-02a
UNLESS OTHERWISE SPECIFIED TOLERANCES	CHECK	
DIMENSIONS : ±0.3 mm DEGREES : ±5%	APPROVED	
DRAWING NOT TO SCALE	DATE	10 / 10 / 2019

MT23HE31042B4G1
STEPPING MOTOR SPECIFICATION

REV	02a - First release.