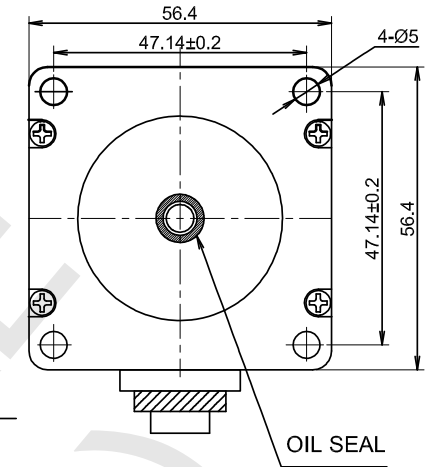
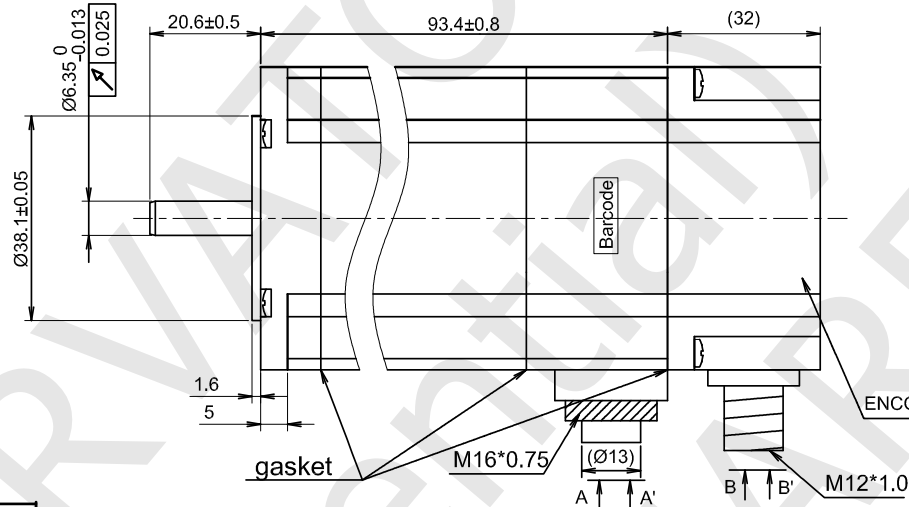
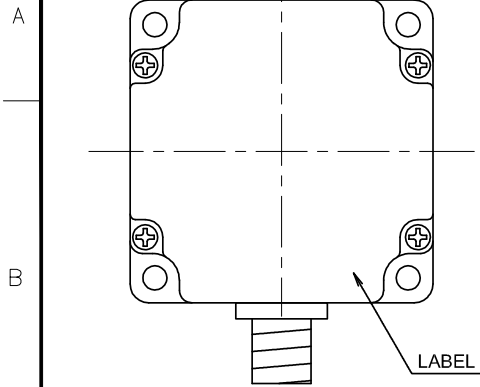


RoHS



ENCODER SPECIFICATIONS

ENCODER TYPE	Absolute multiturn
POWER SUPPLY	5.00 Vdc
SINGLE TURN RESOLUTION	17 bits
MULTI TURN RESOLUTION	16 bits
OUTPUT TYPE	BISS-C

MOTOR SPECIFICATIONS

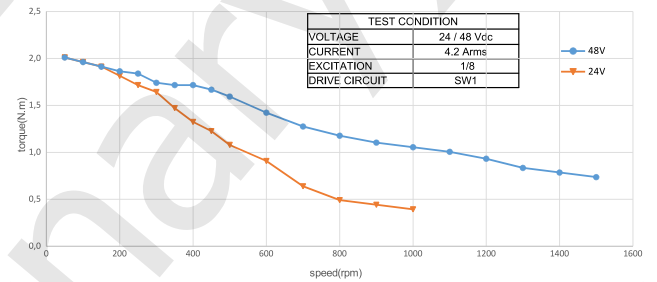
STEP ANGLE	1.8° ±5%
RATED CURRENT	4.20 Amps/Ph
HOLDING TORQUE	2.00 Nm Min.
RESISTANCE	0.50 ohm ±0.15 at 25°C
INDUCTANCE	1.77 mH ±20%
ROTOR INERTIA	520 g.cm ²
INSULATION CLASS	Class B, 130°C
DIELECTRIC STRENGTH	500 Vac 1 minute
IP CODE	IP65
PULL OUT TORQUE	---



A-A' VIEW
M16 MALE 6 POLES
CONNECTOR
MOTOR



B-B' VIEW
M12 MALE 8 POLES
CONNECTOR
ENCODER



WIRING DIAGRAM

MOTOR		ENCODER		
1	A	7	BLU	GND
2	A/	5	GRY	PRESET
3	B	6	PNK	CONFIG
4	B/	1	GRN	DATA+
		2	YEL	DATA-
		4	WHT	CLK-
		3	BRN	CLK+
		8	RED	+Vcc

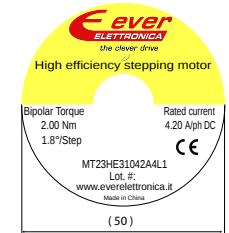
**EXCITING SEQUENCE(TWO PHASES)
VS.DIRECTION OF ROTATION**

STEP	A	B	A̅	B̅
1	+	+	-	-
2	-	+	+	-
3	-	-	+	+
4	+	-	-	+

CLOCK WISE VIEW FROM MOUNTING SIDE

LABELS

YYWWXXXX (25 x 8)
Stator barcode label



BACK EMF	---
DETENT TORQUE	---
WEIGHT	2000 g. approx
TEMPERATURE RISE	80K Max.
OPERATING TEMPERATURE	-20°C ~ +50°C
STORAGE TEMPERATURE	-20°C ~ +70°C
SHAFT AXIAL LOAD	15 N
SHAFT RADIAL LOAD	75 N (ON FRONT SHAFT END)

UNIT: mm
UNLESS OTHERWISE SPECIFIED TOLERANCES
DIMENSIONS : ±0.3mm DEGREES : ±5%

DESIGN	Stm01972-00b
CHECK	
APPROVED	
DATE	02 / 03 / 2020

REV

- 00a - First release.
- 00b - Changed the current winding and related parameters.

MT23HE31042A4L1
STEPPING MOTOR SPECIFICATION



www.everelettronica.it