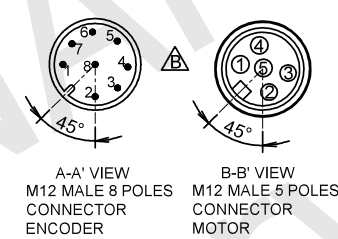
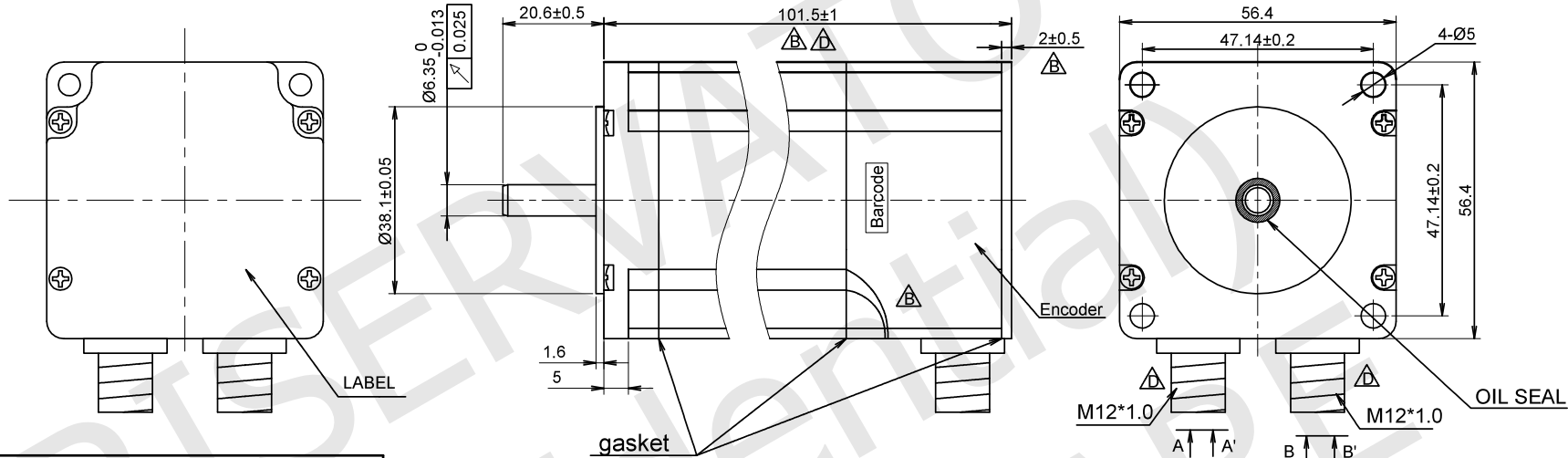


RoHS



**ENCODER SPECIFICATIONS**

ENCODER TYPE	Incremental quadrature
POWER SUPPLY	5.00 Vdc
RESOLUTION	500 ppr
OUTPUT TYPE	Line driver

**MOTOR SPECIFICATIONS**

STEP ANGLE	1.8° ±5%
RATED CURRENT	2.82 Amps/Ph
HOLDING TORQUE	1.95 Nm Min.
RESISTANCE	1.10 ohm ±10% at 25°C
INDUCTANCE	4.40 mH ±20%
ROTOR INERTIA	520 g.cm <sup>2</sup>
INSULATION CLASS	Class B, 130°C
DIELECTRIC STRENGTH	500 Vac 1 minute
IP CODE	IP65
PULL OUT TORQUE	---

**WIRING DIAGRAM**

MOTOR	ENCODER
1 A	1 +5V
2 A/	2 GND
3 GND	3 A
4 B	4 A/
5 B/	5 B
6 B/	6 B/
7 Z	7 Z
8 B/	8 Z/

**EXCITING SEQUENCE(TWO PHASES) VS.DIRECTION OF ROTATION**

STEP	A	B	A̅	B̅
1	+	+	-	-
2	-	+	+	-
3	-	-	+	+
4	+	-	-	+

CW ←      → CCW

CLOCK WISE VIEW FROM MOUNTING SIDE

**LABELS**

YYWWXXXX (25 x 8)  
Stator barcode label



UNIT: mm

DESIGN Stm01860-00e

UNLESS OTHERWISE SPECIFIED TOLERANCES

CHECK

DIMENSIONS : ±0.3mm DEGREES : ±5%

APPROVED

DRAWING NOT TO SCALE

DATE

26 / 11 / 2021

REV

- 00a - First release.
- 00e - Changed the encoder cover and connector layout.

**MT23HE31028E4LC**  
STEPPING MOTOR SPECIFICATION



www.everelettronica.it