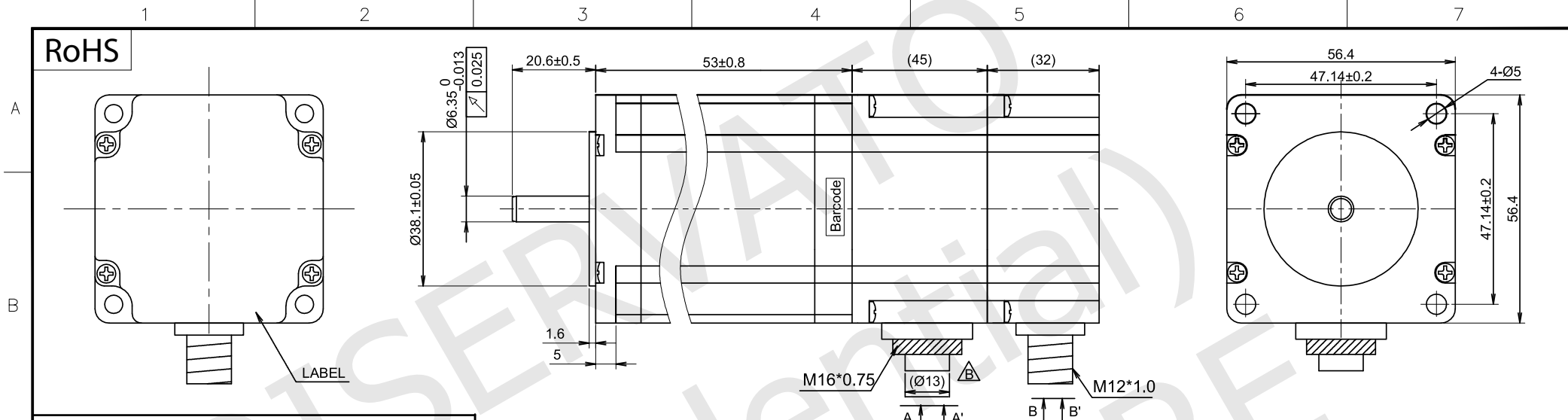


RoHS



A-A' VIEW  
M12 MALE 6 POLES  
CONNECTOR  
MOTOR

B-B' VIEW  
M12 MALE 8 POLES  
CONNECTOR  
ENCODER

**ENCODER SPECIFICATIONS**

|                        |                  |
|------------------------|------------------|
| ENCODER TYPE           | Absolute encoder |
| POWER SUPPLY           | 5.00 Vdc         |
| SINGLE TURN RESOLUTION | 17 bits          |
| MULTI TURN RESOLUTION  | 16 bits          |
| OUTPUT TYPE            | BISS-C           |

**MOTOR SPECIFICATIONS**

|                       |                              |
|-----------------------|------------------------------|
| STEP ANGLE            | 1.8° ±5%                     |
| RATED CURRENT         | 5.00 Amps/Ph                 |
| HOLDING TORQUE        | 0.80 Nm Min.                 |
| RESISTANCE            | 0.15 ohm ±0.1 at 25°C        |
| INDUCTANCE            | 0.50 mH ±20% at 1kHz, 1 Vrms |
| ROTOR INERTIA         | 290 g.cm <sup>2</sup>        |
| INSULATION CLASS      | Class B, 130°C               |
| DIELECTRIC STRENGTH   | 500 Vac 1 minute             |
| IP CODE               | IP20                         |
| PULL OUT TORQUE       | ---                          |
| BACK EMF              | ---                          |
| DETENT TORQUE         | ---                          |
| WEIGHT                | 900 g. approx                |
| TEMPERATURE RISE      | 80K Max.                     |
| OPERATING TEMPERATURE | -20°C ~ +50°C                |
| STORAGE TEMPERATURE   | -20°C ~ +70°C                |
| SHAFT AXIAL LOAD      | 15 N                         |
| SHAFT RADIAL LOAD     | 75 N (ON FRONT SHAFT END)    |

**BRAKE SPECIFICATIONS**

|               |             |
|---------------|-------------|
| VOLTAGE       | 24 Vdc      |
| POWER         | 7.6W        |
| STATIC TORQUE | 1.3N. m min |

**WIRING DIAGRAM**

| MOTOR AND BRAKE | ENCODER  |
|-----------------|----------|
| 1 A             | 7 GND    |
| 2 A/            | 5 PRESET |
| 3 B             | 6 CONFIG |
| 4 B/            | 1 DATA+  |
| 5 Brake Vdc     | 2 DATA-  |
| 6 Brake GND     | 4 CLK-   |
|                 | 3 CLK+   |
|                 | 8 +Vcc   |

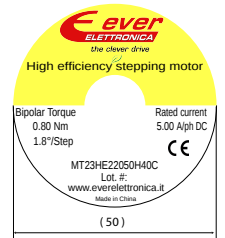
**EXCITING SEQUENCE(TWO PHASES)  
VS.DIRECTION OF ROTATION**

| STEP | A | B | A̅ | B̅ |
|------|---|---|----|----|
| 1    | + | + | -  | -  |
| 2    | - | + | +  | -  |
| 3    | - | - | +  | +  |
| 4    | + | - | -  | +  |

Clock wise view from mounting side

**LABELS**

YYWWXXXXX (25 x 8)  
Stator barcode label



UNIT: mm  
UNLESS OTHERWISE SPECIFIED TOLERANCES  
DIMENSIONS : ±0.3 mm DEGREES : ±5%

|          |                |
|----------|----------------|
| DESIGN   | Stm01929-01b   |
| CHECK    |                |
| APPROVED |                |
| DATE     | 18 / 05 / 2020 |

**MT23HE22050H40C**  
STEPPING MOTOR SPECIFICATION

**REV**

- 00a - First release.
- 00b - Replaced the motor connector type.
- 01b - Changed the label type.



www.everelettronica.it