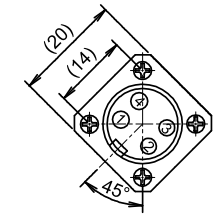
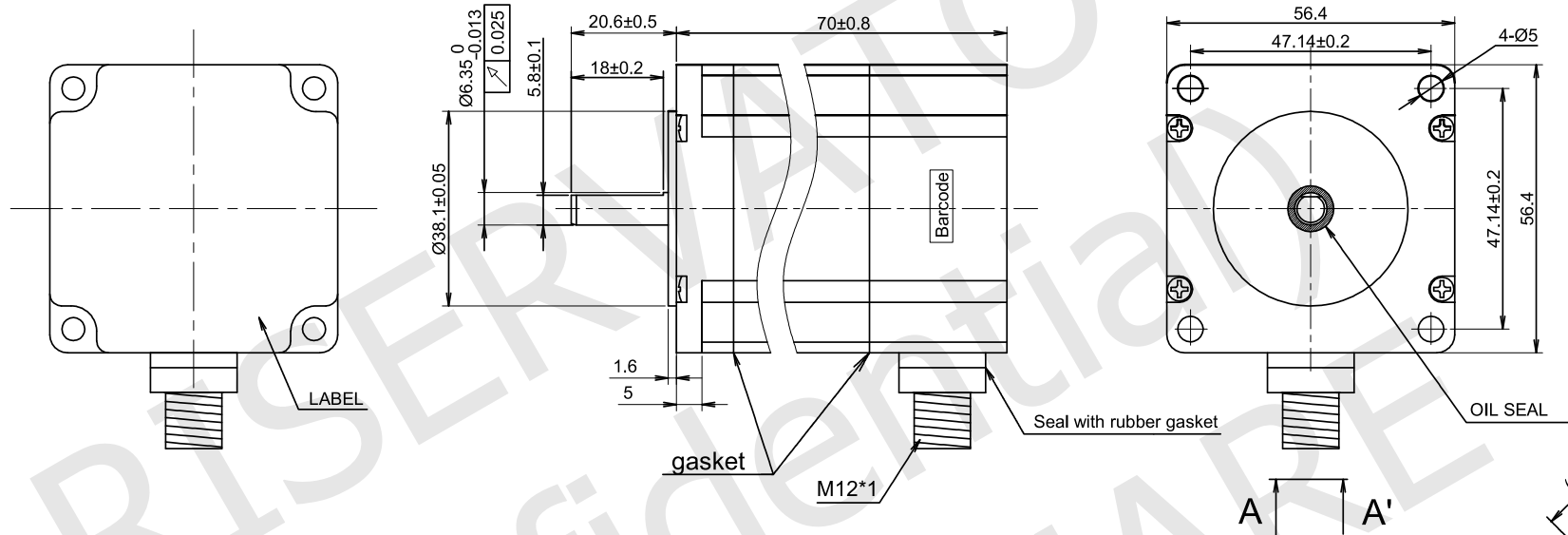


RoHS



M12 MALE 4 POLES CONNECTOR MOTOR

A-A' VIEW

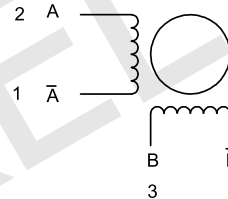
NOTE:

- 1、 The metal O ring inside the oil seal can't face outward.
- 2、 The M12 connector screws must be fixed with loctite glue.

MOTOR SPECIFICATIONS

STEP ANGLE	1.8° ±5%
RATED CURRENT	4.20 Amps/Ph
HOLDING TORQUE	1.20 Nm Min.
RESISTANCE	0.40 ohm ±0.1 at 25°C
INDUCTANCE	1.20 mH ±20% at 1kHz, 1Vrms
ROTOR INERTIA	300 g.cm ²
INSULATION CLASS	Class B, 130°C
DIELECTRIC STRENGTH	500 Vac 1 minute
IP CODE	IP65
PULL OUT TORQUE	---
BACK EMF	---
DETENT TORQUE	---
WEIGHT	700 g. approx
TEMPERATURE RISE	80K Max.
OPERATING TEMPERATURE	-20°C ~ +50°C
STORAGE TEMPERATURE	-20°C ~ +70°C
SHAFT AXIAL LOAD	15 N
SHAFT RADIAL LOAD	75 N (ON THE SHAFT END)

WIRING DIAGRAM



EXCITING SEQUENCE(TWO PHASES) VS.DIRECTION OF ROTATION

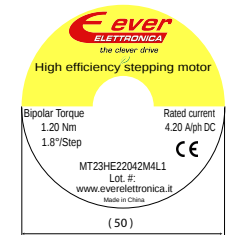
STEP	A	B	A-bar	B-bar
1	+	+	-	-
2	-	+	+	-
3	-	-	+	+
4	+	-	-	+

Clockwise (CW) and Counter-clockwise (CCW) rotation directions are indicated.

CLOCK WISE VIEW FROM MOUNTING SIDE

LABELS

YYWWXXXXX (25 x 8)
Stator barcode label



UNIT: mm
UNLESS OTHERWISE SPECIFIED TOLERANCES
DIMENSIONS : ±0.3 mm DEGREES : ±5%

DESIGN	Stm01996-00a
CHECK	
APPROVED	
DATE	03 / 03 / 2020

MT23HE22042M4L1 STEPPING MOTOR SPECIFICATION

REV

00a - First release.



www.everelectronica.it