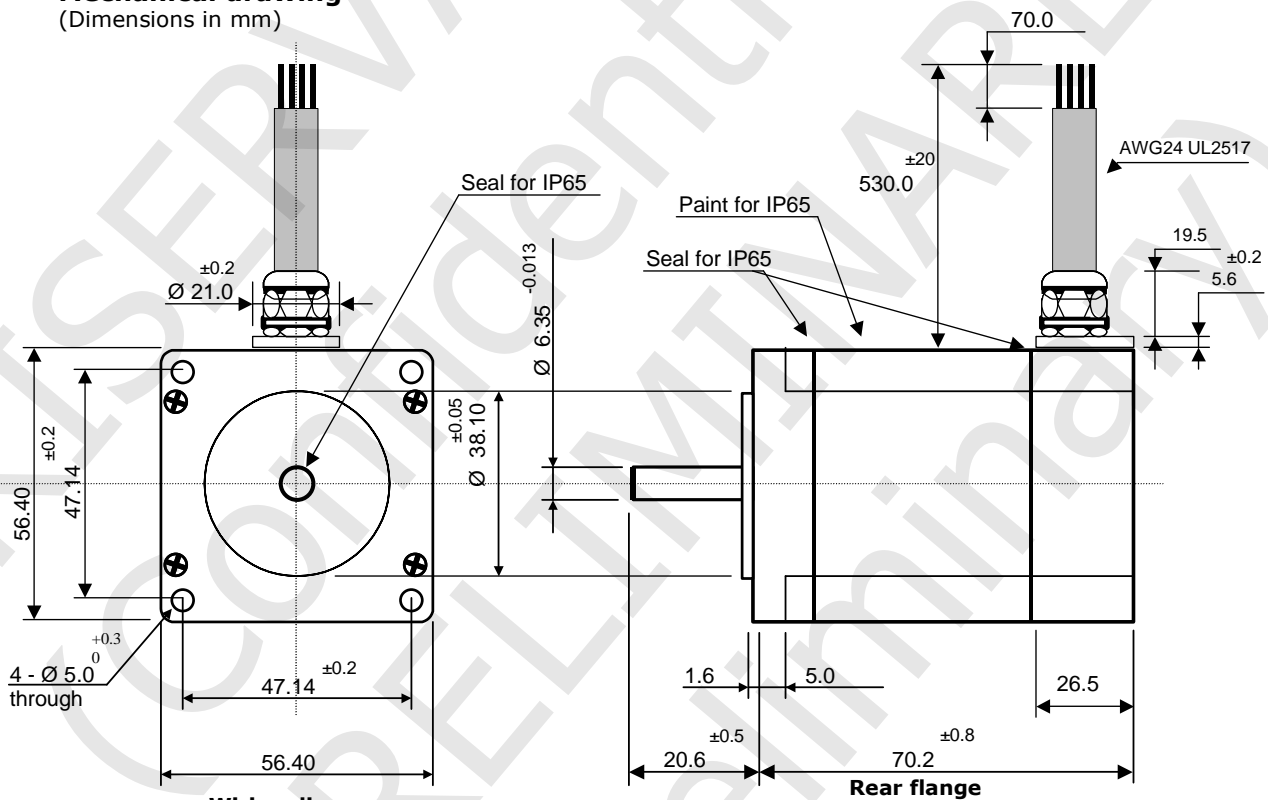
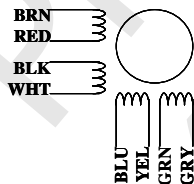


Motor Size	2.3" – 57 mm square shape	Step Angle	1.8° ±5%
Front Shaft	20.6 mm length – Ø 6.35 mm	Rear Shaft	None
Winding	# 8 lead wires – UL2517 AWG24	Lead Wire Length	530 mm ±20mm with tube and cable conduit
Rated Voltage	2.24 Volt	Rated Current	2.80 Amps/phase
Resistance	0.80 ohm ±0.15	Inductance	1.20 mH ±20%
Motor Rotor Inertia	286 g.cm²	Motor Holding Torque	1.10 Nm min.
Winding	Unipolar	Insulation class	Class B, 130°
Dielectric strength	500 Vac 1 minute	Insulation resistance	100 Mohm min.
Ambient temperature	-20° ~ +40° C	Temperature rise	80K max
Shaft thrust load	15 N	Shaft radial load	75 N (at shaft end)
Protection	IP65		

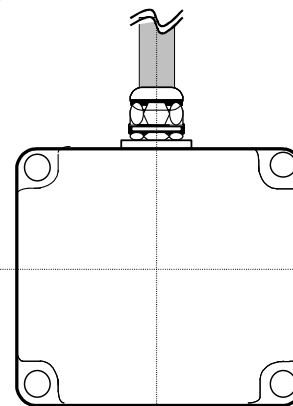
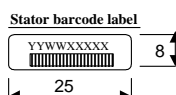
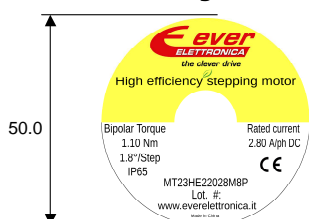
Mechanical drawing
(Dimensions in mm)



Wiring diagram



Motor Labelling



	Motor specification: STM00881-04a	DATE: March, 19th 2018	APPROVAZIONE CLIENTE: _____
	Motor code: MT23HE22028M8P		CODICE CLIENTE: _____