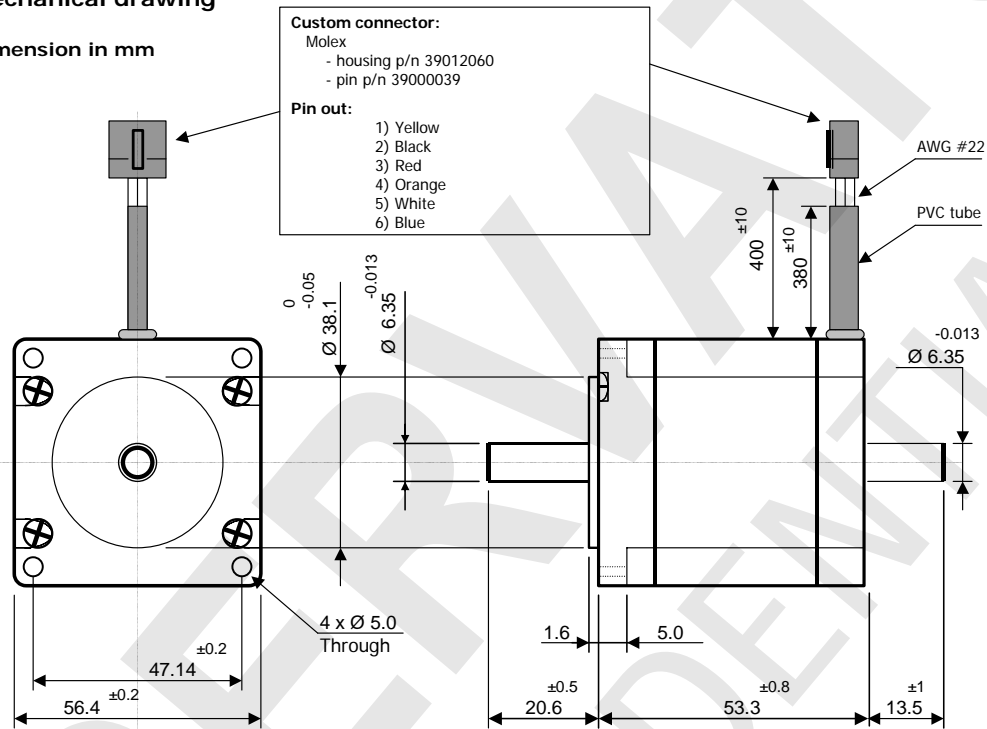


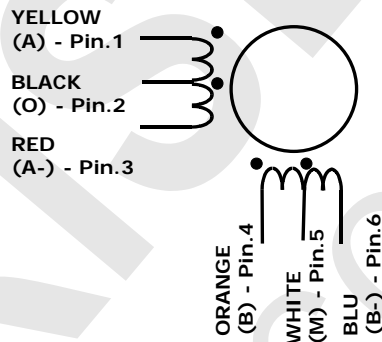
Front flange	<b>2.3" - 57 mm square shape</b>	Step Angle	<b>1,8° ±5%</b>
Front Shaft	<b>20.60 mm length – Ø 6.35 mm</b>	Rear Shaft	<b>13.50 mm length – Ø 6.35</b>
Winding	<b># 6 lead wires</b>	Lead Wire Length	<b>400 mm±10 with PVC tube</b>
Rated Voltage	<b>3.38 Volt</b>	Rated Current	<b>2.00 Amps</b>
Resistance	<b>1.69 ohm ±10%</b>	Inductance	<b>3.20 mH ±20%</b>
Winding	<b>Unipolar</b>	Holding Torque	<b>1.00 Nm min</b>
Rotor Inertia	<b>280 g.cm<sup>2</sup></b>	Insulation class	<b>Class B, 130°</b>
Ambient Temperature	<b>-20°C ~ +40°C</b>	Temperature rise	<b>80K max</b>
Shaft thrust load	<b>15 N</b>	Shaft radial load	<b>75 N (at front shaft end)</b>

**Mechanical drawing**

Dimension in mm

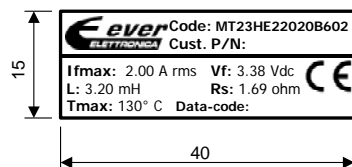


**Connection lead wires color diagram**

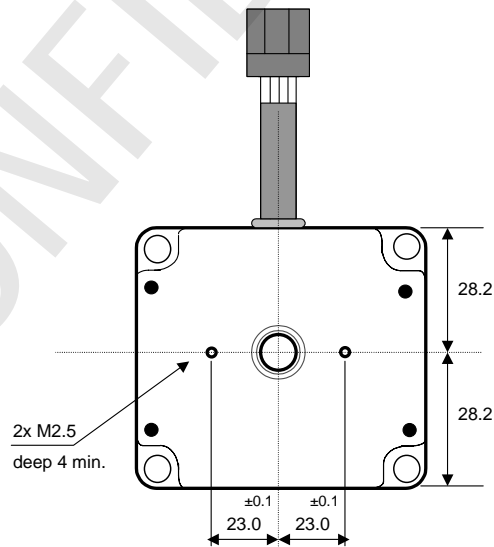


**Motor Labelling**

Label type: alluminum adhesive label



**Rear flange**



	Motor specification: STM00912-01d	Date: August, 30th 2016	Customer approval: _____
	Ever motor code: MT23HE22020B602		Customer code: _____