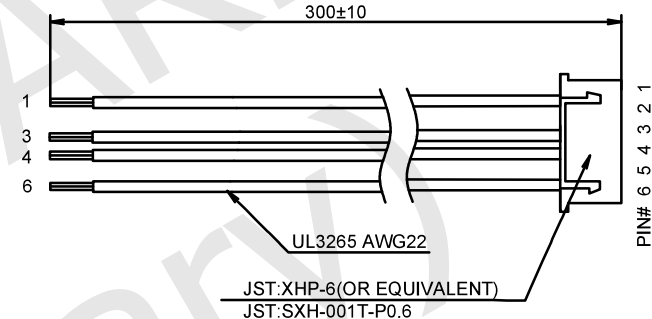
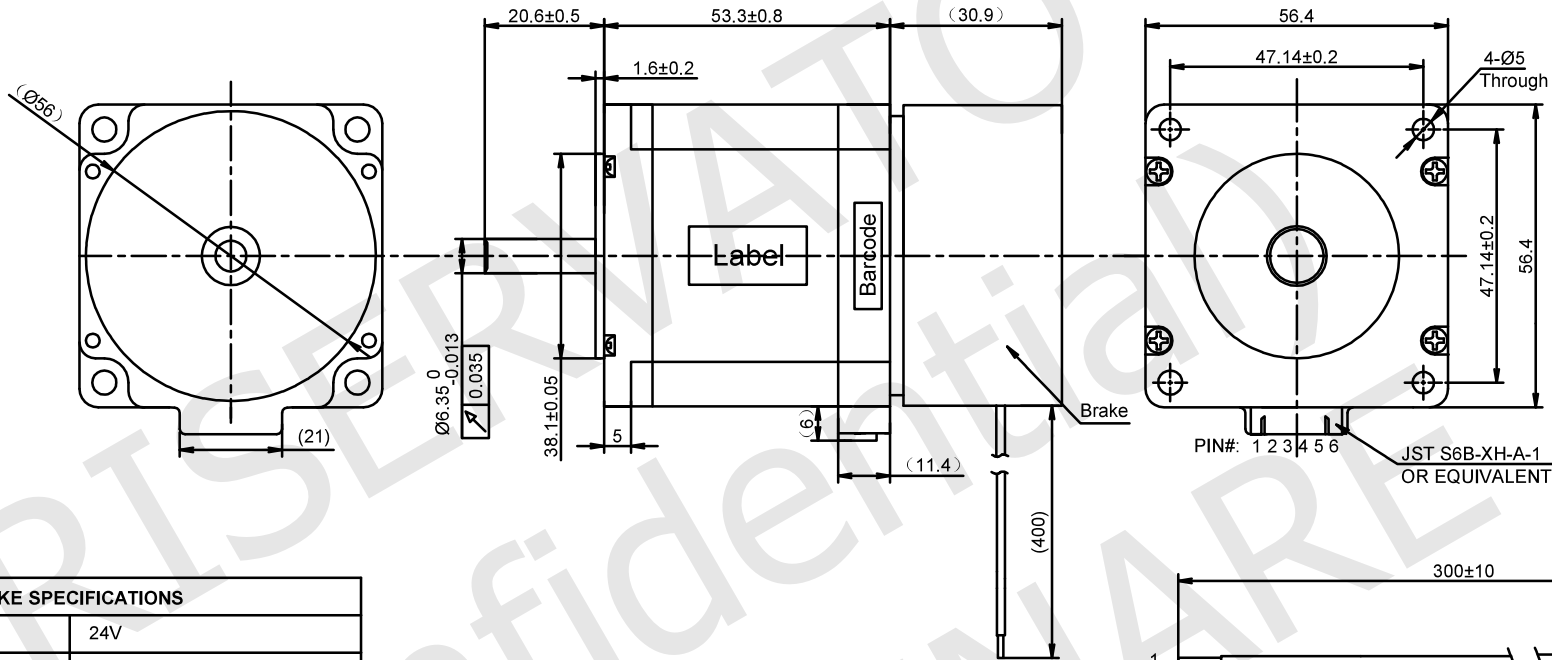
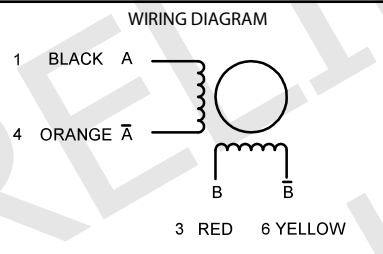


RoHS



| BRAKE SPECIFICATIONS  |                             |
|-----------------------|-----------------------------|
| VOLTAGE               | 24V                         |
| POWER                 | 9W                          |
| STATIC TORQUE         | 1.0N.m                      |
| MOTOR SPECIFICATIONS  |                             |
| STEP ANGLE            | 1.8° ±5%                    |
| RATED CURRENT         | 1.50 Amps/Ph                |
| HOLDING TORQUE        | 1.00 Nm Min.                |
| RESISTANCE            | 2.90 ohm ±10% at 25°C       |
| INDUCTANCE            | 9.20 mH ±20% at 1kHz, 1Vrms |
| ROTOR INERTIA         | 290 g.cm <sup>2</sup>       |
| INSULATION CLASS      | Class B, 130°C              |
| DIELECTRIC STRENGTH   | 500 Vac 1 minute            |
| IP CODE               | IP40                        |
| PULL OUT TORQUE       | ---                         |
| BACK EMF              | ---                         |
| DETENT TORQUE         | ---                         |
| WEIGHT                | 700 g. approx               |
| TEMPERATURE RISE      | 80K Max.                    |
| OPERATING TEMPERATURE | -20°C ~ +40°C               |
| STORAGE TEMPERATURE   | -20°C ~ +70°C               |
| SHAFT AXIAL LOAD      | 15 N                        |
| SHAFT RADIAL LOAD     | 75 N (ON FRONT SHAFT END)   |



EXCITING SEQUENCE (TWO PHASES) VS. DIRECTION OF ROTATION

| STEP | A | B | A̅ | B̅ |
|------|---|---|----|----|
| 1    | + | + | -  | -  |
| 2    | - | + | +  | -  |
| 3    | - | - | +  | +  |
| 4    | + | - | -  | +  |

CLOCK WISE VIEW FROM MOUNTING SIDE

LABELS

(15)

(40)

YYWWXXXXX (25 x 8)

Stator barcode label

UNIT: mm  
 UNLESS OTHERWISE SPECIFIED TOLERANCES  
 DIMENSIONS : ±0.3 mm DEGREES : ±5%  
 ORTHOGRAPHIC PROJECTION

|          |                |
|----------|----------------|
| DESIGN   | Stm01418-02a   |
| CHECK    |                |
| APPROVED |                |
| DATE     | 27 / 07 / 2022 |

**MT23HE22015B4F1**  
 STEPPING MOTOR SPECIFICATION

|                      |                      |
|----------------------|----------------------|
| DRAWING NOT TO SCALE |                      |
| REV                  | 02a - First release. |
|                      |                      |
|                      |                      |