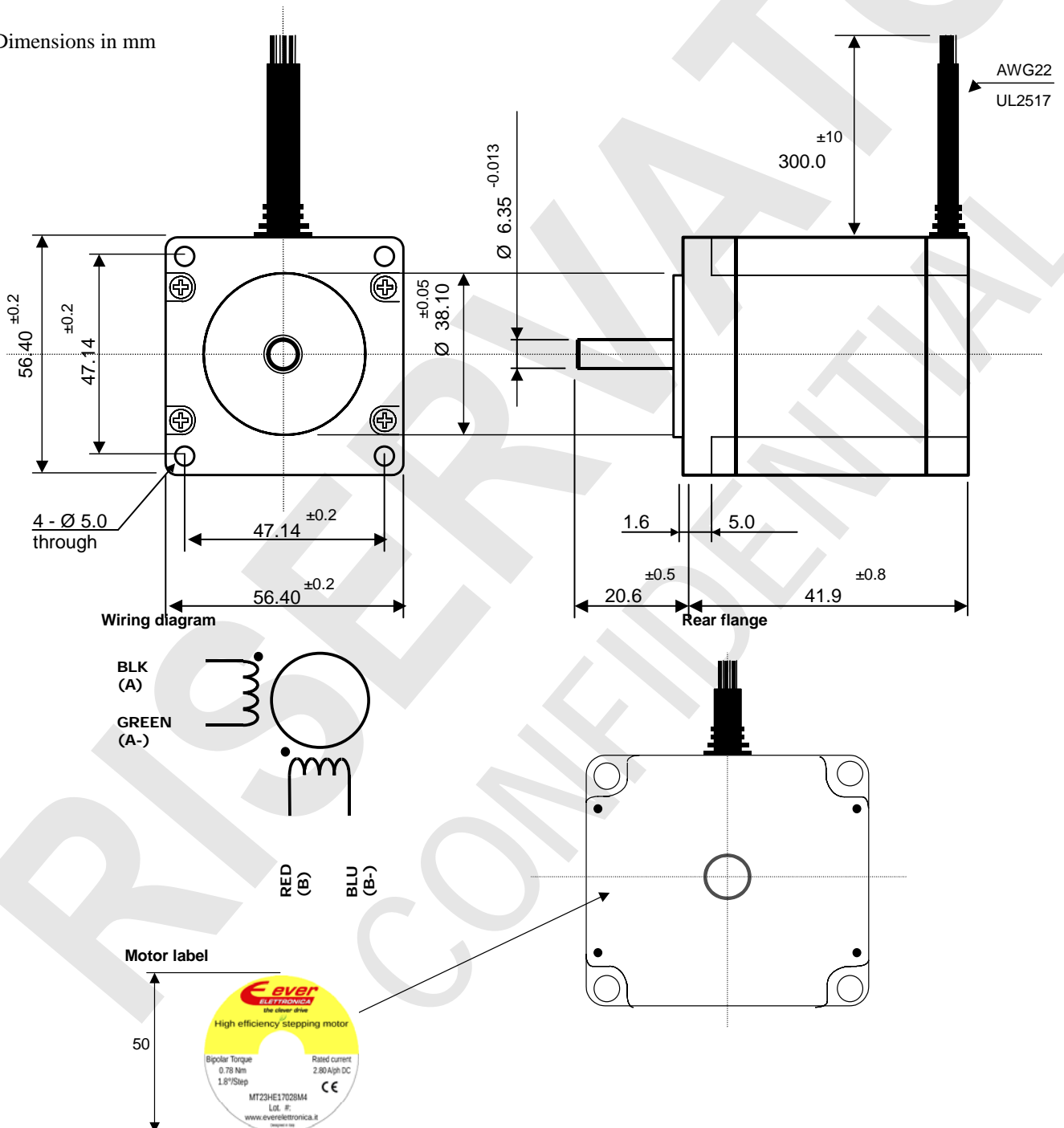


Motor Size	2.3" - 57 mm square shape	Step Angle	1.8° ±5%
Front Shaft	20.6 mm length - Ø 6.35 mm	Rear Shaft	None
Lead wires	#4 lead wires	Lead Wire Length	300 mm ±10mm with tube
Rated Voltage	1.60 Volt	Rated Current	2.80 Amps/phase
Resistance	0.57 ohm ±15%	Inductance	1.60 mH ±20%
Rotor Inertia	170 g.cm²	Bipolar Holding Torque	0.78 Nm min.
Winding	Bipolar parallel	Insulation class	Class B, 130°C
Ambient temperature	-20° ~ +40° C	Temperature rise	80K max
Shaft thrust load	15 N	Shaft radial load	75 N (at front shaft end)

Dimensions in mm



	Motor specification: STM01210-00b	DATE: July 12th 2016	
	Motor code: MT23HE17028M4		CODICE CLIENTE: