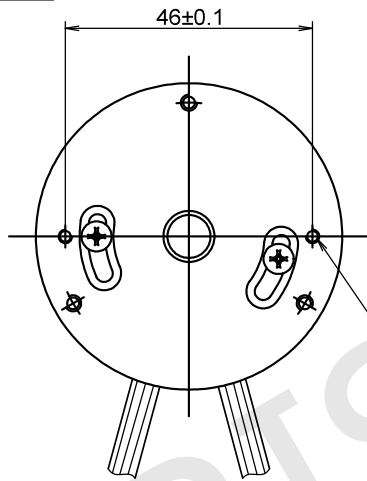
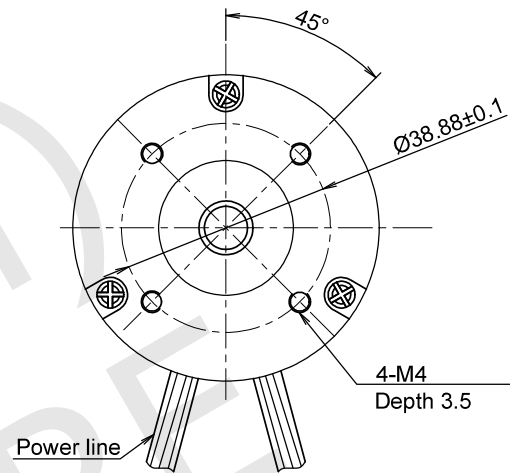
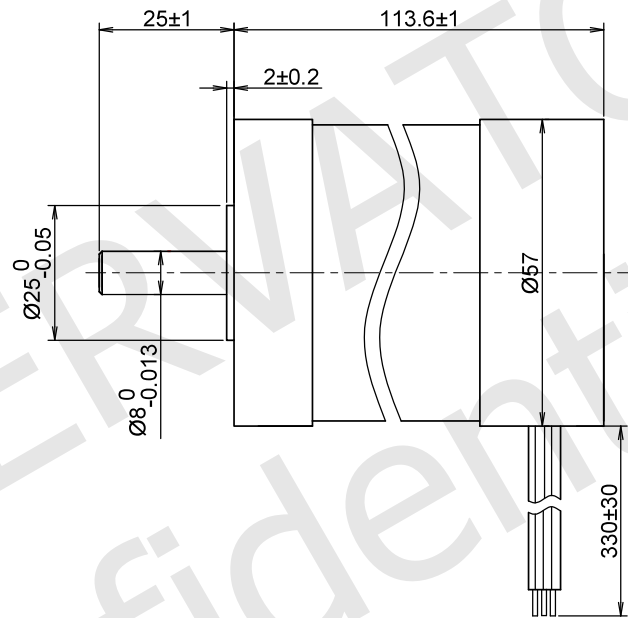


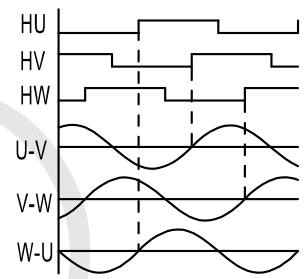
RoHS



2-M2.5 Through



CCW from shaft side



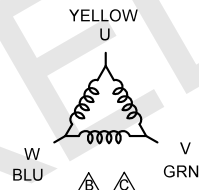
MOTOR SPECIFICATIONS

APPLIED VOLTAGE	24 Vdc
PHASES	3
POLES	4
RATED CURRENT	11.5 A
PEAK CURRENT	---
RATED POWER	250 W
RATED TORQUE	0.8 Nm
PEAK TORQUE	---
RATED SPEED	3000 rpm ±10%
NO LOAD SPEED	3700 rpm ±10%
INSULATION CLASS	Class B, 130°C
IP CODE	IP20
DIELECTRIC STRENGTH	---
INSULATION RESISTANCE	---
LINE TO LINE RESISTANCE	0.14 ohm ±10%
LINE TO LINE INDUCTANCE	0.20 mH ±20%
ROTOR INERTIA	230 g.cm ²
BACK E.M.F	4.7 Vrms/Krpm ±10%
TORQUE CONSTANT	0.07 Nm/A
OPERATING TEMPERATURE	-20°C ~ +50°C
STORAGE TEMPERATURE	-10°C ~ +40°C
WEIGHT	1200 g. approx

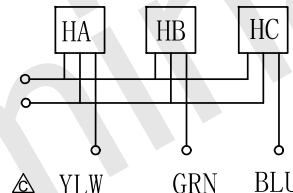
UL3266/AWG18

WIRING DIAGRAM

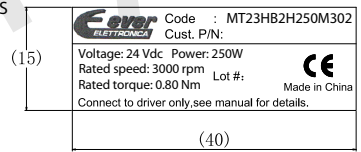
UL3266/AWG26



+5V RED
GND BLK



LABELS



YYWWXXXXX (25 x 8)
Stator barcode label

UNIT: mm
UNLESS OTHERWISE SPECIFIED TOLERANCES
DIMENSIONS : ±0.3 mm DEGREES : ±5%

DESIGN	Stm02036-00c
CHECK	
APPROVED	
DATE	18 / 04 / 2023

REV

- 00a - First release.
- 00b - Correct the winding type.
- 00c - Modify the motor structure.

MT23HB2H250M302
DC BRUSHLESS MOTOR SPECIFICATION



www.everelettronica.it