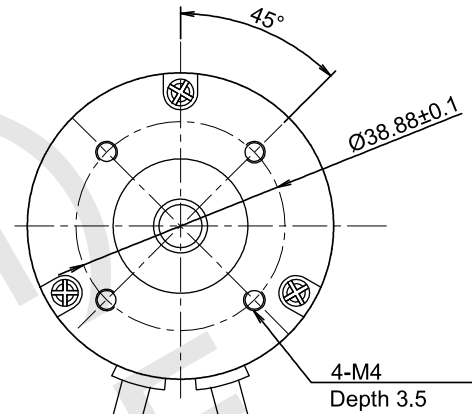
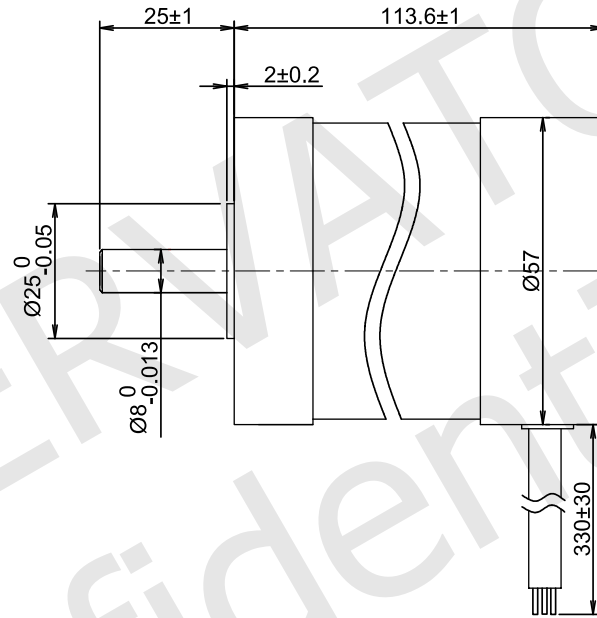
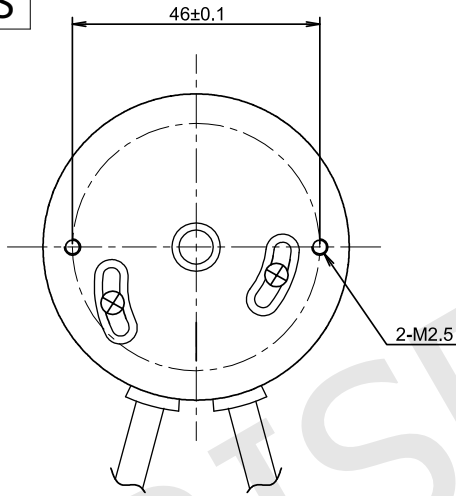
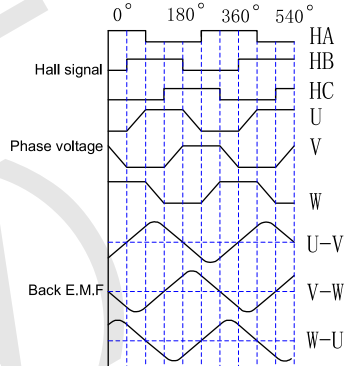


RoHS



CCW from shaft side

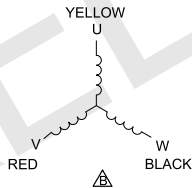


**MOTOR SPECIFICATIONS**

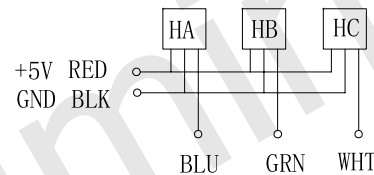
APPLIED VOLTAGE	24 Vdc
PHASES	3
POLES	6
RATED CURRENT	---
NO LOAD CURRENT	1.0 A
RATED POWER	250 W
RATED TORQUE	0.8 Nm
PEAK TORQUE	---
RATED SPEED	3000 rpm ±10%
NO LOAD SPEED	3600 rpm ±10%
INSULATION CLASS	Class B, 130°C
IP CODE	IP20
DIELECTRIC STRENGTH	---
INSULATION RESISTANCE	---
LINE TO LINE RESISTANCE	0.14 ohm ±10%
LINE TO LINE INDUCTANCE	0.20 mH ±20%
ROTOR INERTIA	---
BACK E.M.F	4.7 Vrms/Krpm ±10%
OPERATING TEMPERATURE	-20°C ~ +55°C
STORAGE TEMPERATURE	-10°C ~ +35°C
WEIGHT	1200 g. approx

**WIRING DIAGRAM**

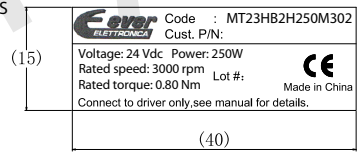
UL1332/AWG18



UL1430/AWG26



**LABELS**



YYWWXXXX (25 x 8)  
Stator barcode label

UNIT: mm  
UNLESS OTHERWISE SPECIFIED TOLERANCES  
DIMENSIONS : ±0.3 mm DEGREES : ±5%

DESIGN	Stm02036-00b
CHECK	
APPROVED	
DATE	24 / 02 / 2021

REV

- 00a - First release.
- 00b - Correct the winding type.

**MT23HB2H250M302**  
DC BRUSHLESS MOTOR SPECIFICATION



www.everelettronica.it