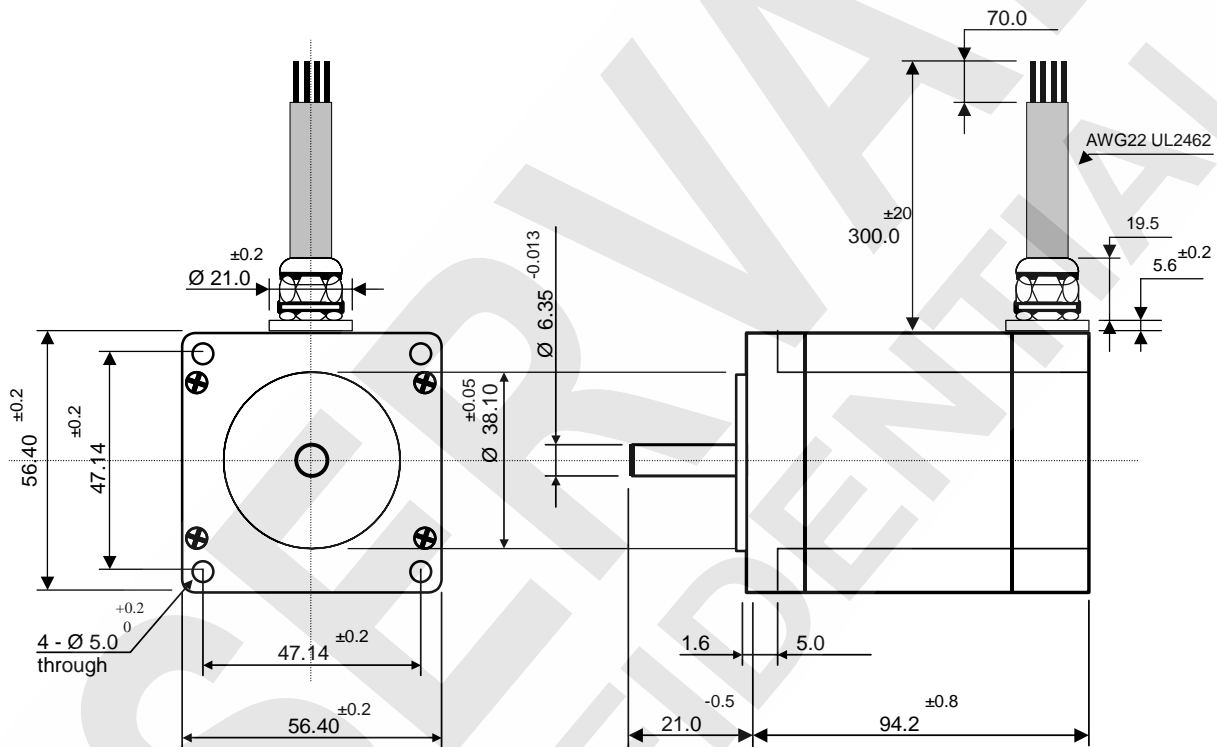
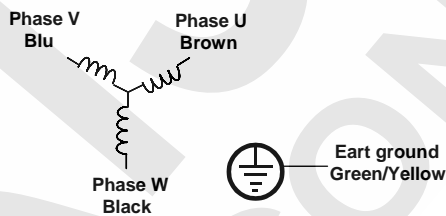


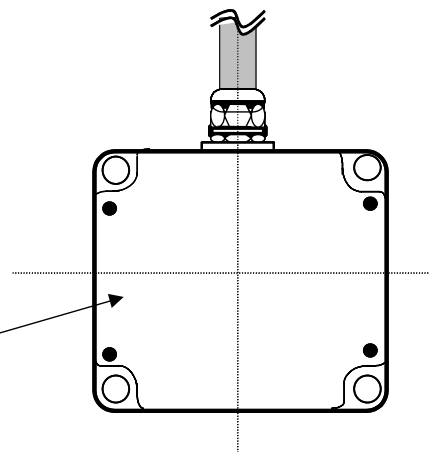
Motor Size	2.3" - 57 mm square shape	Step Angle	1,2° ±6%
Front Shaft	21.0 mm length - Ø 6.35 mm	Rear Shaft	None
Phases	3 phases (U, V, W)	Poles	50
Winding	# 3 lead wires	Lead Wire Length	300 mm ±20mm with tube and cable conduit
Max Voltage	35 Volt DC	Rated Current	5.80 Amps/phase
Resistance	0.46 ohm ±10%	Inductance	--- mH ±20%
Motor Rotor Inertia	220 g.cm²	Motor Holding Torque	1.02 Nm
Ambient temperature	-20°C ~ +40°C	Temperature rise	80K max
Shaft thrust load	15 N	Shaft radial load	75 N (at front shaft end)
Protection	IP65	Insulation class	F, 155°C



Wiring diagram



Rear flange



Motor Labelling



	Motor specification: STM01187-00	DATE: July, 31st 2015	APPROVAZIONE CLIENTE: _____
	Motor code: MT23H331058M3P		CODICE CLIENTE: _____