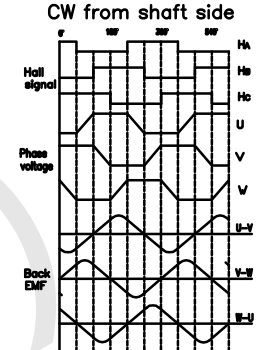
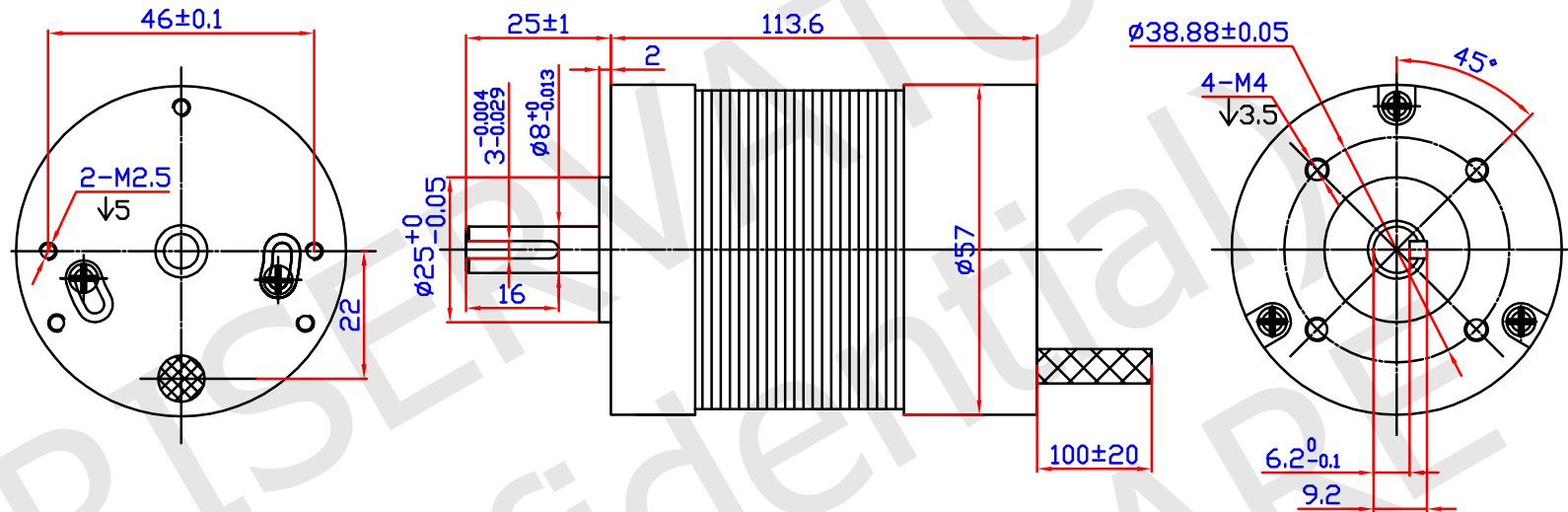
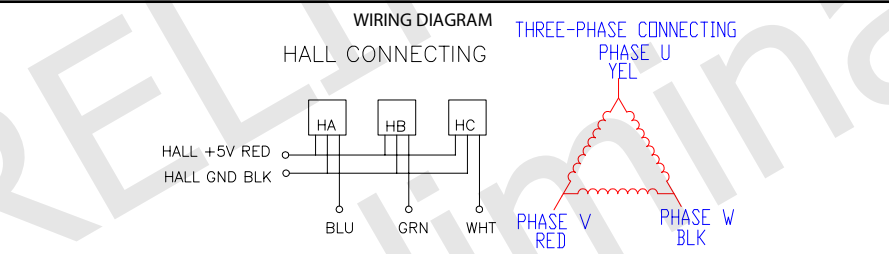


RoHS



MOTOR SPECIFICATIONS	
RATED VOLTAGE	36 Vdc
POLES	4
PHASES	3
RATED CURRENT	7.00 A
PEAK CURRENT	21.0 A
RATED POWER	184 W
RATED TORQUE	0.44 Nm
PEAK TORQUE	1.32 Nm
TORQUE CONSTANT	0.063 Nm/A
RATED SPEED	4000 rpm ±10%
NO LOAD SPEED	5400 rpm ±10%
INSULATION CLASS	Class B, 130°C
IP CODE	IP20
DIELECTRIC STRENGTH	650 Vac / 1 s
INSULATION RESISTANCE	100 Mohm / 500Vdc
LINE TO LINE RESISTANCE	0.33 ohm ±10%
LINE TO LINE INDUCTANCE	0.95 mH ±20%
ROTOR INERTIA	230 g.cm ²
BACK EMF	4.8 Vrms/Krpm
OPERATING TEMPERATURE	-20°C ~ +50°C
STORAGE TEMPERATURE	---
WEIGHT	1200 g. approx
MAX SHAFT AXIAL LOAD	15 N
MAX SHAFT RADIAL LOAD	75 N @ 20 mm from flange



LABELS

(15)

(40)

YYWWXXXXX (25 x 8)

Stator barcode label

UNIT: mm	DESIGN	Stm00786-01b
UNLESS OTHERWISE SPECIFIED TOLERANCES	CHECK	
DIMENSIONS : ±0.3 mm DEGREES : ±5%	APPROVED	
DRAWING NOT TO SCALE	DATE	05 / 01 / 2021
REV	01b - Added a key on front shaft.	

MT23FB46205M3ED

DC BRUSHLESS MOTOR SPECIFICATION