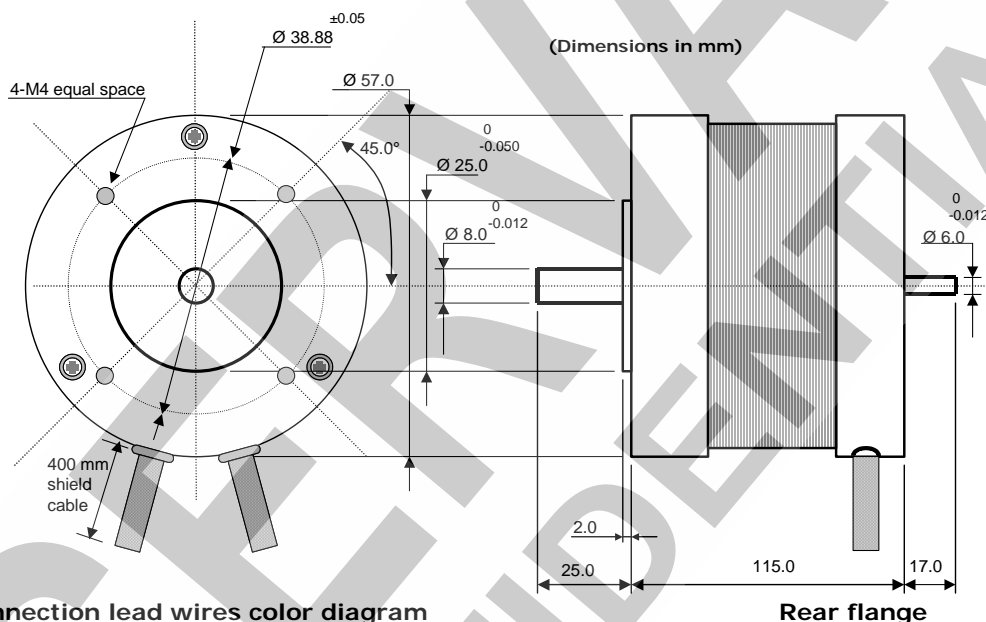


Motor Size	2.3" - Ø 57 mm round flange	Hall effect angle	120° electrical angle
Front shaft	25.0 mm length Ø 8.00 mm	Rear shaft	17.0 mm length Ø 6.00 mm
# of lead wires	# 3 wires + # 5 hall sensor	Winding type	Delta
Rated voltage	36 Vdc	# of poles	# 4
# of phases	# 3	Lead wires length	400 mm
Peak torque	1.27 Nm	Rated torque	0.43 Nm
Rotor power	180 Watt	Rated speed	4000 rpm
Peak current	20.5 Amps	Torque constant	0.063 Nm/A
Line to line resistance	0.35 ohms	Line to line inductance	1.00 mH
Back E.M.F.	6.60 V/Krpm	Rotor inertia	230 g.cm ²
Insulation resistance	100 Mohms, 500 Vdc	Dielectric strength	500 Vdc for one minute
Insulation calss	B	Weight	1.25 Kg

Mechanical drawings

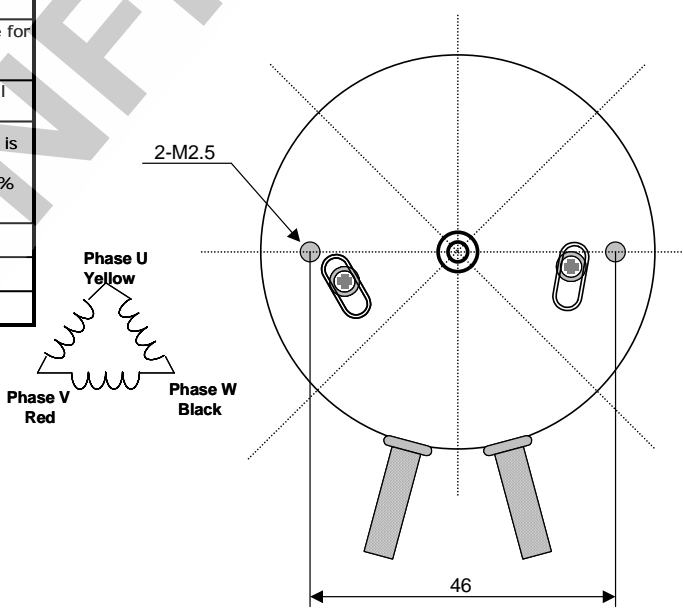
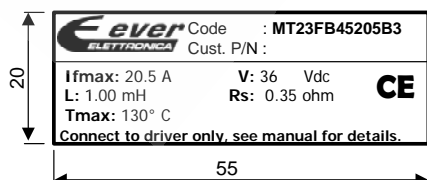


Connection lead wires color diagram

Lead #	Lead Gauge	Lead Color	Lead Function	Description
1	UL1007 26AWG	RED	Vcc	Supply voltage for Hall sensor (4.5÷ 28 Vdc)
2		BLACK	GND	Ground for Hall sensor
3		BLUE	Hall A	Output signals is square wave (duty cycle 50% with 5÷6Vdc)
4	GREEN	Hall B		
5	WHITE	Hall C		
6	UL1007 20AWG	YELLOW	Phase U	
7		RED	Phase V	
8		BLACK	Phase W	

Motor Labelling

Label type: alluminum adhesive label



	MOTOR SPECIFICATION: STM00626	DATE: February,6th 2009	CUSTOMER APPROVAL: _____
	EVER P/N: MT23FB45205B3		CUSTOMER CODE: _____