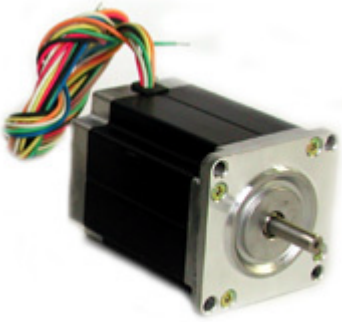


## MP - High Torque Hybrid Step Motors



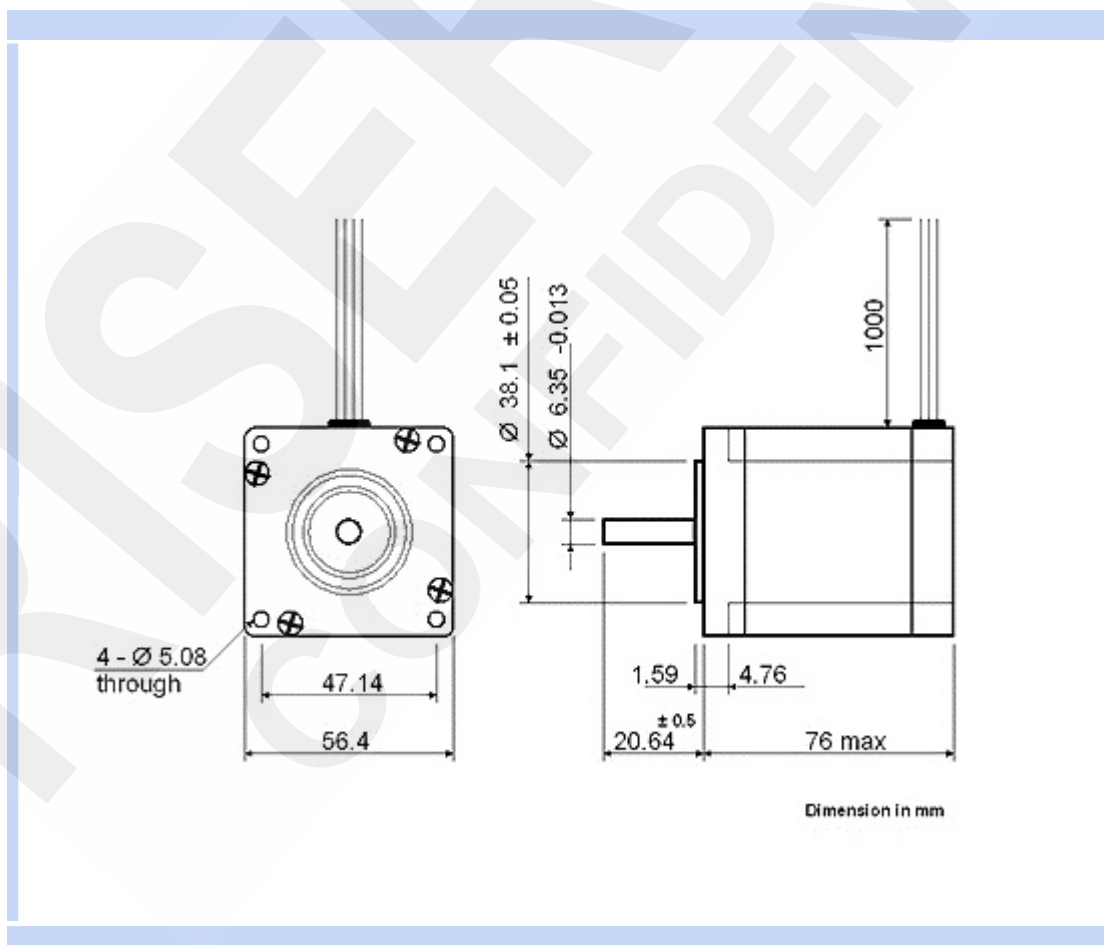
### MT23AK30 Family Characteristics

Step / revolution:	200
Step Angle:	$1.8^\circ \pm 5.0\%$
Diameter:	56.4 x 56.4 mm
Rotor Inertia:	440 g.cm <sup>2</sup>
Detent Torque:	280 g.cm
Insulation Class:	B 130° C
Dielectric Strength:	500 Vac 1 minute
Insulation Resistance:	100 Mohm @ 500 Vdc
Oper. temp range:	-20° +70° C
Temperature Rise:	80° C max
Weight:	1.050 Kg.

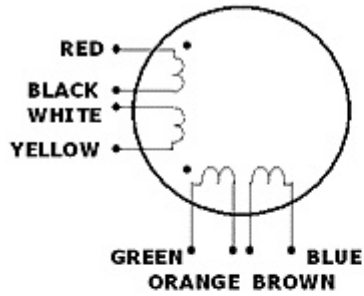
### Winding and options of MT23AK30033M8 - (23KM K723-05)

Voltage (Vdc)	Current (A)	Resistance (ohm $\pm 10\%$ )	Inductance (mH $\pm 20\%$ )	Hold.Torque (Nm $\pm 10\%$ )	Options in this version
3.00	3.33	0.89	1.70	1.30	Standard version

### Mechanical drawing of MT23AK30033M8 - (23KM K723-05)



Connection's diagram of MT23AK30033M8 - (23KM K723-05)



Connection			
Type	Driver connector	Lead color	Terminal number
Bipolar parallel	A	RED & WHITE	=
	- A	YELLOW & BLACK	=
	B	GREEN & BROWN	=
	- B	BLUE & ORANGE	=
Bipolar series	A	RED	=
	- A	YELLOW	=
	B	BROWN	=
	- B	ORANGE	=
	NONE	BLACK & WHITE	=
	NONE	GREEN & BLUE	=

RISER CONFIDENTIAL