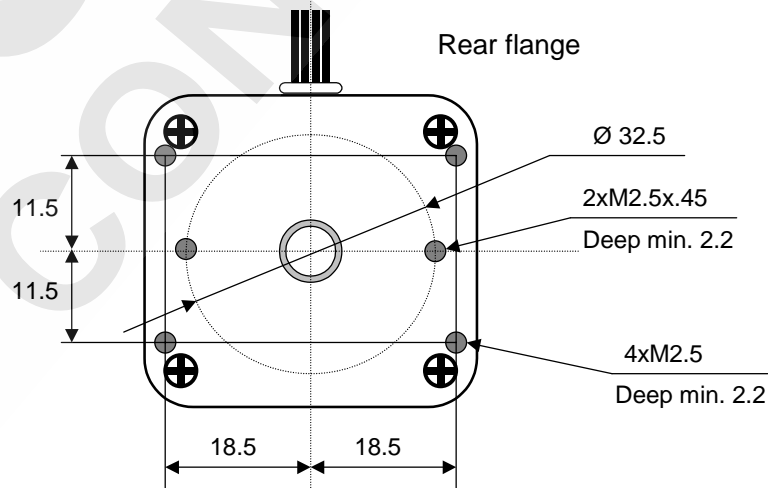
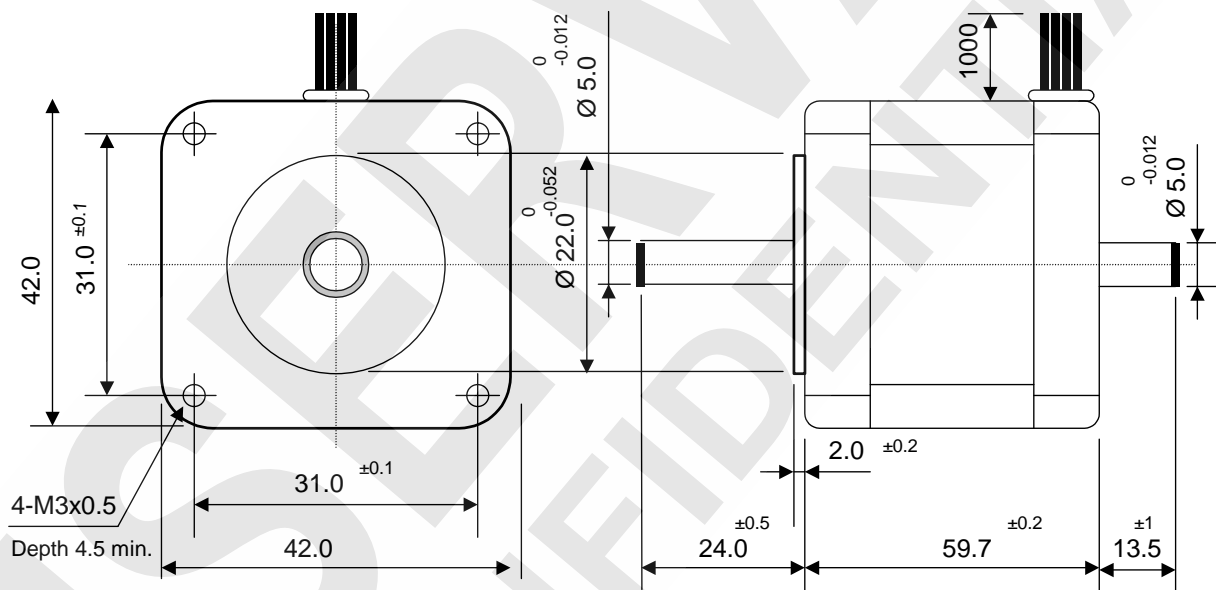
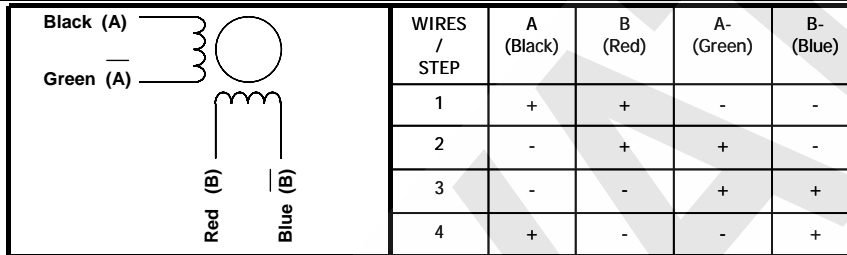


Motor size	<b>1.7" flange - 42 mm square</b>	Step Angle	<b>1,8° ±5%</b>
Front Shaft	<b>24.0 mm ±0.5</b>	Rear Shaft	<b>13.5 mm ±0.5</b>
Winding	<b># 4 lead wires - UL3266 AWG26</b>	Lead Wire Length	<b>1000 mm - UL3266 AWG24</b>
Rated Voltage	<b>3.20 Volt</b>	Rated Current	<b>2.80 A</b>
Resistance	<b>1.15 ohm ±10%</b>	Inductance	<b>2.10 mH ±20%</b>
Winding	<b>Bipolar parallel</b>	Holding Torque	<b>0.91 Nm</b>
Rotor Inertia	<b>220 g.cm<sup>2</sup></b>	Ambient temperature	<b>-20° ~ +50° C</b>
		Weight	<b>610 g. approx</b>



	Motor specification: STM00885-04b	Date: February 13th 2014	Customer approval: _____
	Motor code: MT17HE24028B4		Customer p/n: _____