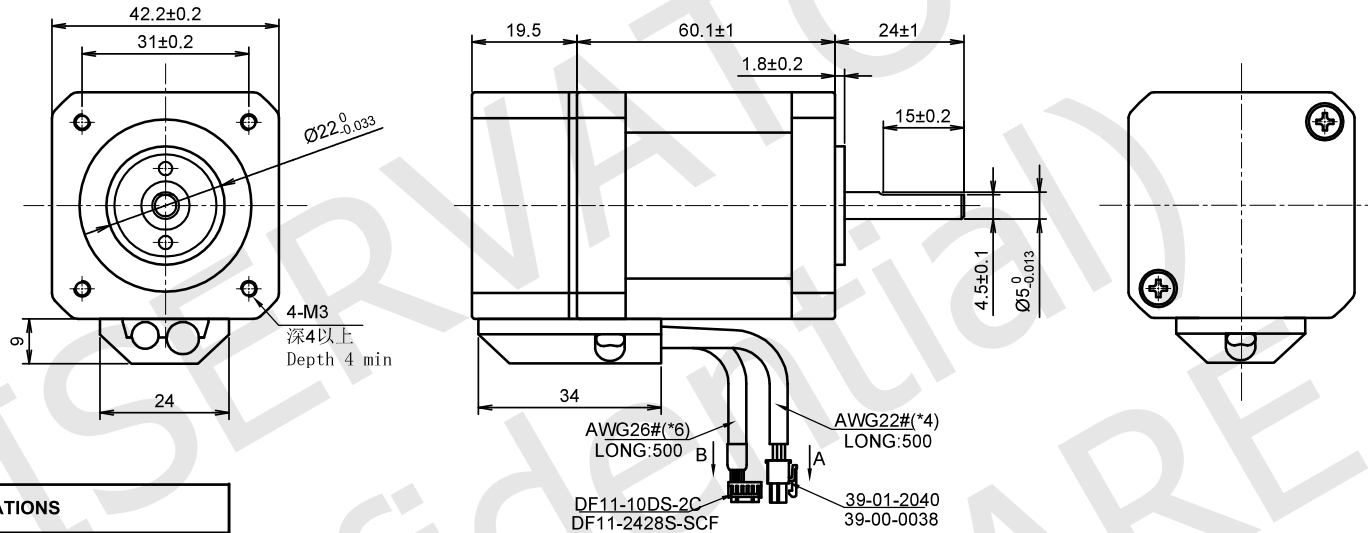


RoHS



ENCODER SPECIFICATIONS

ENCODER TYPE	Incremental
POWER SUPPLY	5.00 Vdc
RESOLUTION	1000 ppr
OUTPUT TYPE	Line driver

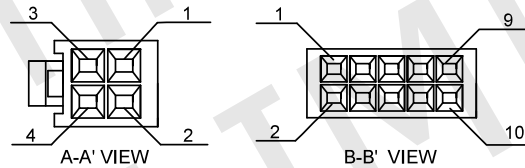
MOTOR SPECIFICATIONS

STEP ANGLE	1.8° ±5%
RATED CURRENT	2.00 Amps/Ph
HOLDING TORQUE	0.72 Nm Min.

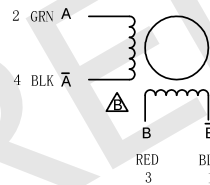
RESISTANCE	1.75 ohm ±10% at 25°C
INDUCTANCE	4.00 mH ±20% at 1kHz, 1 Vrms
ROTOR INERTIA	110 g.cm ²
INSULATION CLASS	Class B, 130°C
DIELECTRIC STRENGTH	500 Vac 1 minute
IP CODE	IP40
PULL OUT TORQUE	---

BACK EMF	---
DETENT TORQUE	---
WEIGHT	500 g. approx

TEMPERATURE RISE	80K Max.
OPERATING TEMPERATURE	-20°C ~ +50°C
STORAGE TEMPERATURE	-20°C ~ +70°C
SHAFT AXIAL LOAD	15 N
SHAFT RADIAL LOAD	75 N (ON FRONT SHAFT END)



WIRING DIAGRAM

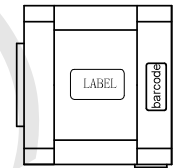


ENCODER CONNECTION	PIN. NO
BLK GND	10
RED +5V	9
BLU/WHT A/	8
/BLU A	7
ORG/WHT B/	6
ORG B	5

EXCITING SEQUENCE(TWO PHASES) VS.DIRECTION OF ROTATION

STEP	A	B	Ā	B̄	
1	+	+	-	-	CCW ↑
2	-	+	+	-	
3	-	-	+	+	
4	+	-	-	+	

CLOCK WISE VIEW FROM MOUNTING SIDE



NOTE: BLACK ENDBELLS

LABELS

Code : MT17HE24020E401
Cust. P/N:
Ifmax: 2.00 Arms Vmax: 3.50 Vdc
L: 4.00 mH Rs: 1.75 ohm
Tmax: 130°C Lot #: Made in China
Connect to driver only, see manual for details.

(40)

YYWWXXXXX (25 x 8)
Stator barcode label

UNIT: mm
UNLESS OTHERWISE SPECIFIED TOLERANCES
DIMENSIONS : ±0.3 mm DEGREES : ±5%
ORTHOGRAPHIC PROJECTION

DESIGN	Stm02468-00b
CHECK	
APPROVED	
DATE	22 / 03 / 2022

MT17HE24020E401
STEPPING MOTOR SPECIFICATION



www.everelectronica.it

REV

00b - First release.

DRAWING NOT TO SCALE