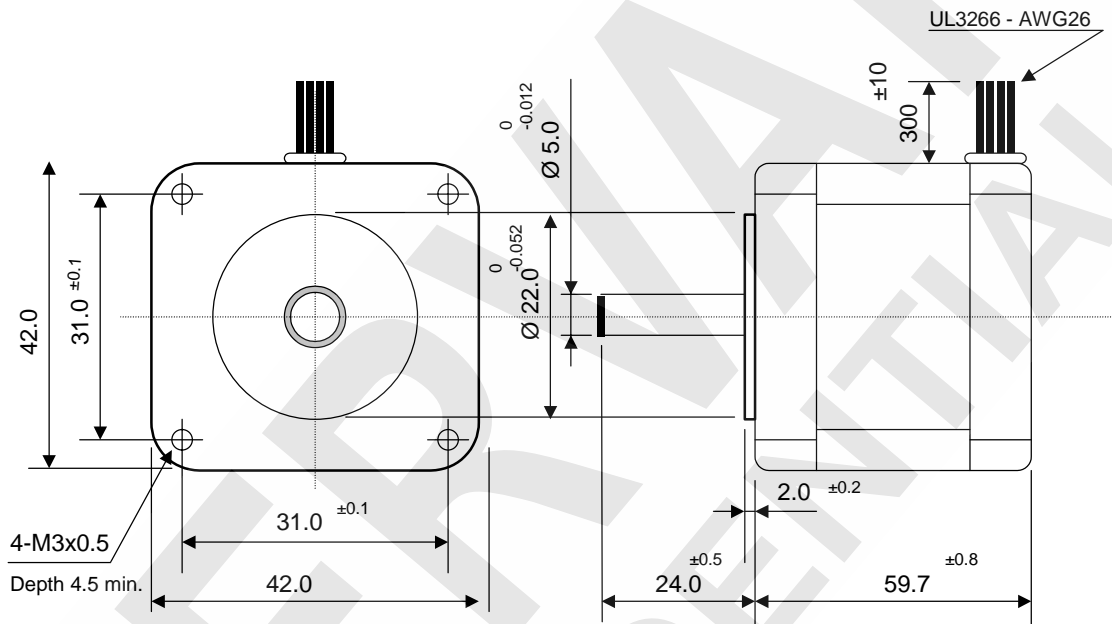


Red. : Mario Bianchi

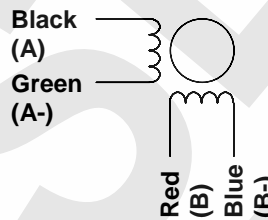
Doc: **MT17HE24015M4 - 00b**

Date : 26/08/2015

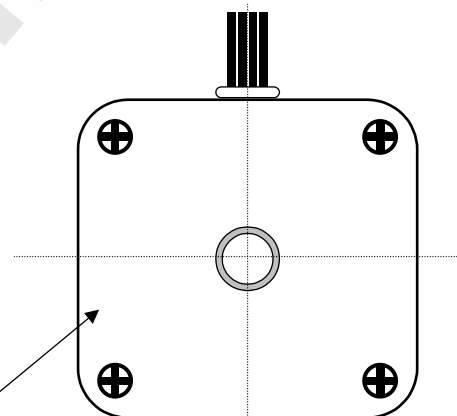
Motor size	1.7" flange - 42 mm square	Step Angle	1,8° ±5%
Front Shaft	24.0 mm length - Ø 5.00 mm	Rear Shaft	None
Winding	# 4 lead wires - UL3266 AWG26	Lead Wire Length	300 mm
Rated Voltage	4.20 Volt	Rated Current	1.50 A
Resistance	2.80 ohm ±10%	Inductance	6.30 mH ±20%
Winding	Bipolar parallel	Holding Torque	0.79 Nm
Rotor Inertia	220 g.cm²	Ambient temperature	-20° ~ +40° C
Insulation class	B, 130°C	Temperature rise	80K max
Allowable thrust load	10 N	Allowable radial load	21 N (at front shaft end)



Wiring diagram

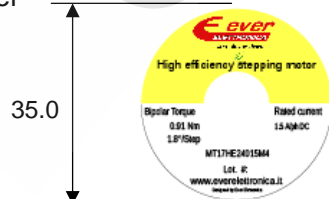


Rear flange



WIRES / STEP	A (Black)	B (Red)	A- (Green)	B- (Blue)
1	+	+	-	-
2	-	+	+	-
3	-	-	+	+
4	+	-	-	+

Label



	Motor specification: STM01054-00b	Date: August 26th 2015	Customer approval: _____
	Motor code: MT17HE24015M4		Customer p/n: _____