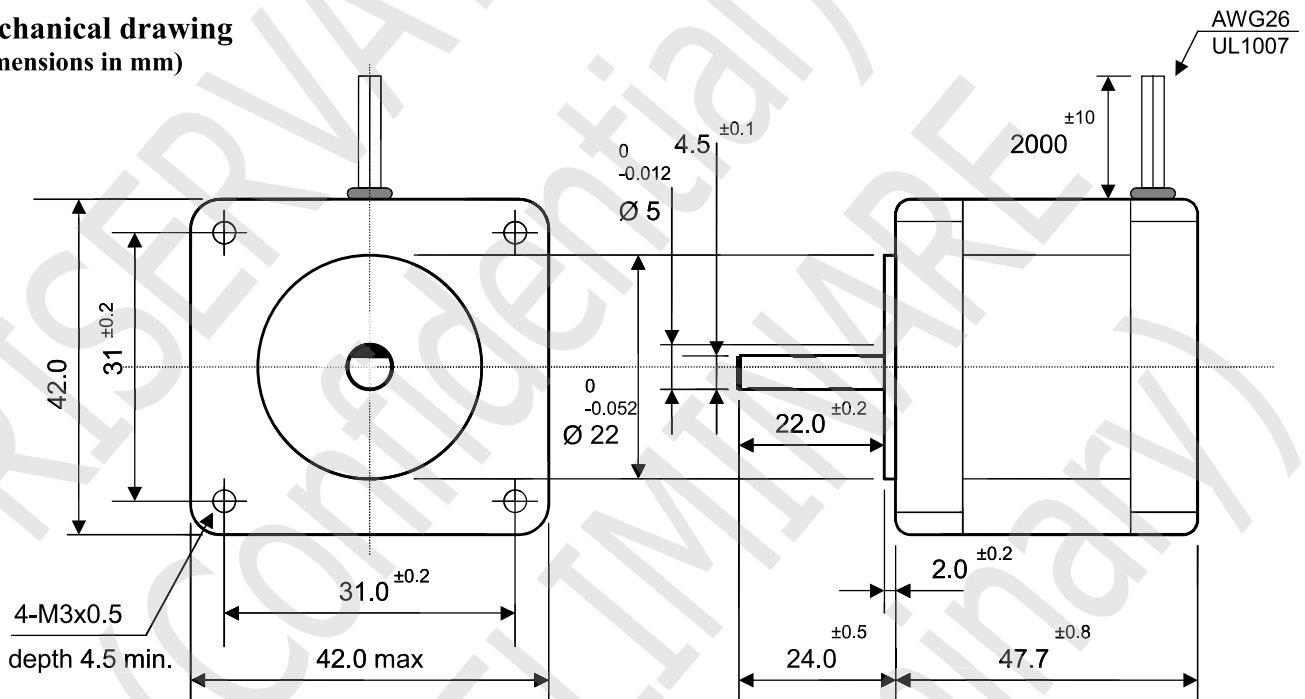
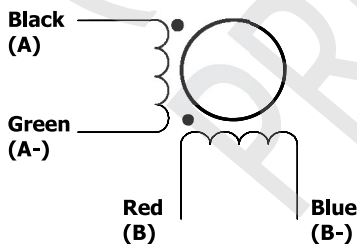


|                       |   |                       |                                  |
|-----------------------|---|-----------------------|----------------------------------|
| Motor size            | <b>1.7" flange – 42 mm square</b>                           | Step Angle            | <b>1.8° ±5%</b>                  |
| Front Shaft           | <b>24.00 mm length – Ø 5.00 mm with D-cut 4.5 x 22.0 mm</b> | Rear Shaft            | <b>None</b>                      |
| # of lead wires       | <b># 4 lead wires</b>                                       | Lead Wire Length      | <b>2000 mm ±10</b>               |
| Rated Voltage         | <b>4.08 Volt</b>  | Rated Current         | <b>1.30 A</b>                    |
| Resistance            | <b>3.60 ohm ±10%</b>  | Inductance            | <b>7.00 mH ±20%</b>              |
| Winding               | <b>Bipolar</b>  | Holding Torque        | <b>0.53 Nm min.</b>              |
| Rotor Inertia         | <b>82 g.cm<sup>2</sup></b>                                  | Insulation class      | <b>Class B, 130°C</b>            |
| Ambient temperature   | <b>-20° ~ +40° C</b>  | Temperature rise      | <b>80K max</b>                   |
| Allowable thrust load | <b>10 N</b>   | Allowable radial load | <b>21 N (at front shaft end)</b> |

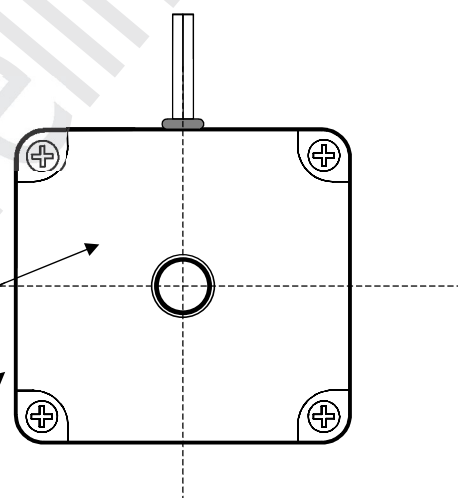
### Mechanical drawing (Dimensions in mm)



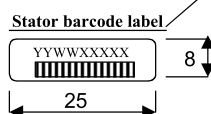
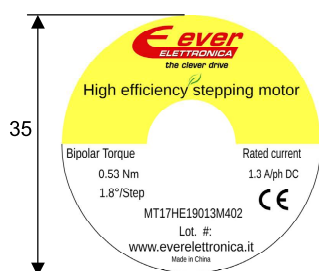
### Wiring diagram



### Rear flange



### Motor Labelling



|  |                                   |                     |                          |
|--|-----------------------------------|---------------------|--------------------------|
|  | Motor specification: STM01220-01a | Date: May, 8th 2017 | Customer approval: _____ |
|  | Motor code: MT17HE19013M402       |                     | Customer p/n: _____      |