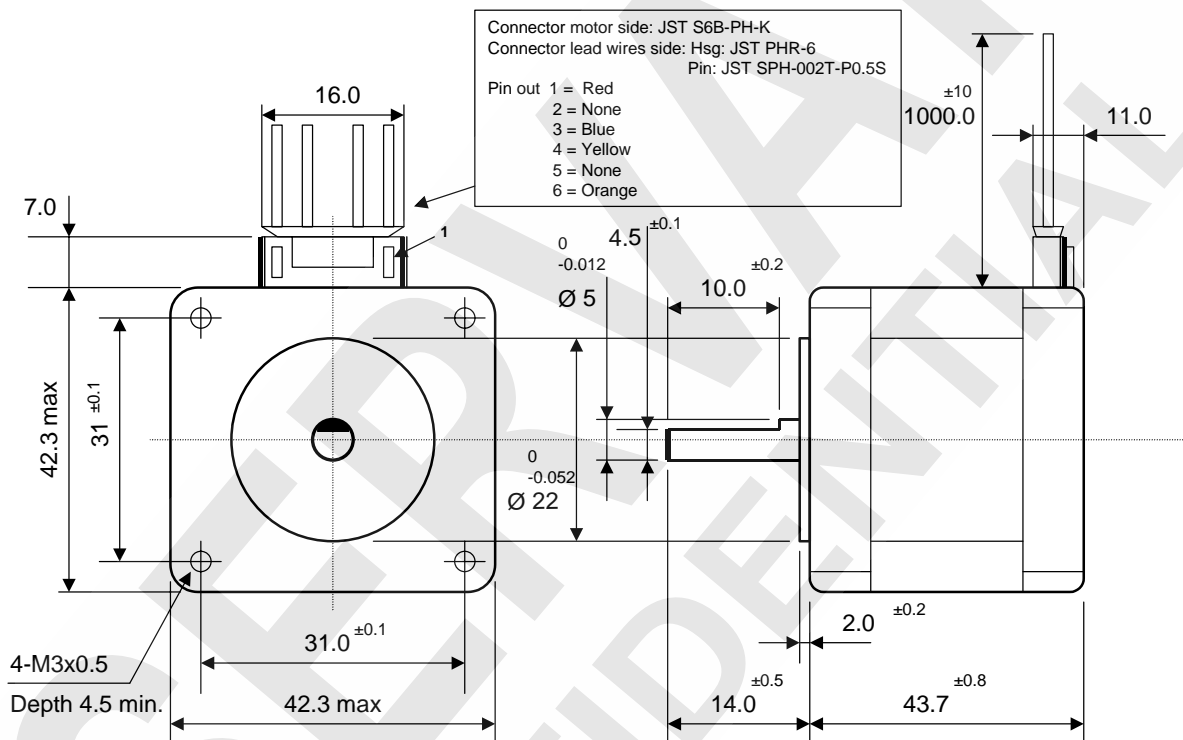
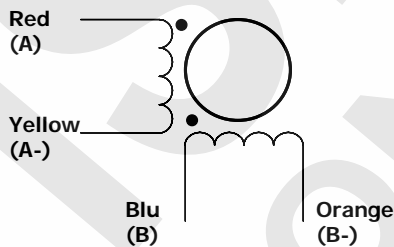


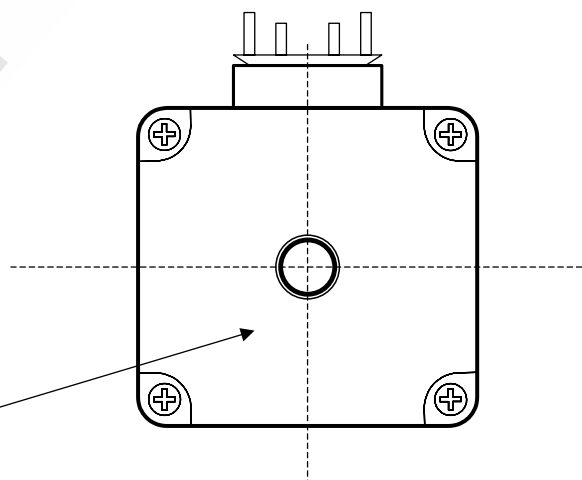
Motor size	<b>1.7" flange – 42 mm square</b>	Step Angle	<b>1,8° ±5%</b>
Front Shaft	<b>14.00 mm length – Ø 5.00 mm with D-cut 4.5 x 10.0 mm</b>	Rear Shaft	<b>None</b>
# of lead wires	<b># 4 lead wires</b>	Lead Wire Length	<b>1000 mm ±10</b>
Rated Voltage	<b>2.50 Volt</b>	Rated Current	<b>2.50 A</b>
Resistance	<b>1.00ohm ±10%</b>	Inductance	<b>2.00 mH ±20%</b>
Winding	<b>Bipolar parallel</b>	Holding Torque	<b>0.47 Nm min.</b>
Rotor Inertia	<b>69 g.cm<sup>2</sup></b>	Ambient temperature	<b>-20° ~ +40° C</b>
Dielectric strength	<b>500V AC 1 minute</b>	Insulation class	<b>Class B, 130°C</b>
Allowable thrust load	<b>10 N</b>	Allowable radial load	<b>21 N (at front shaft end)</b>



**Wiring diagram**



**Rear flange**



**Motor Labelling**

