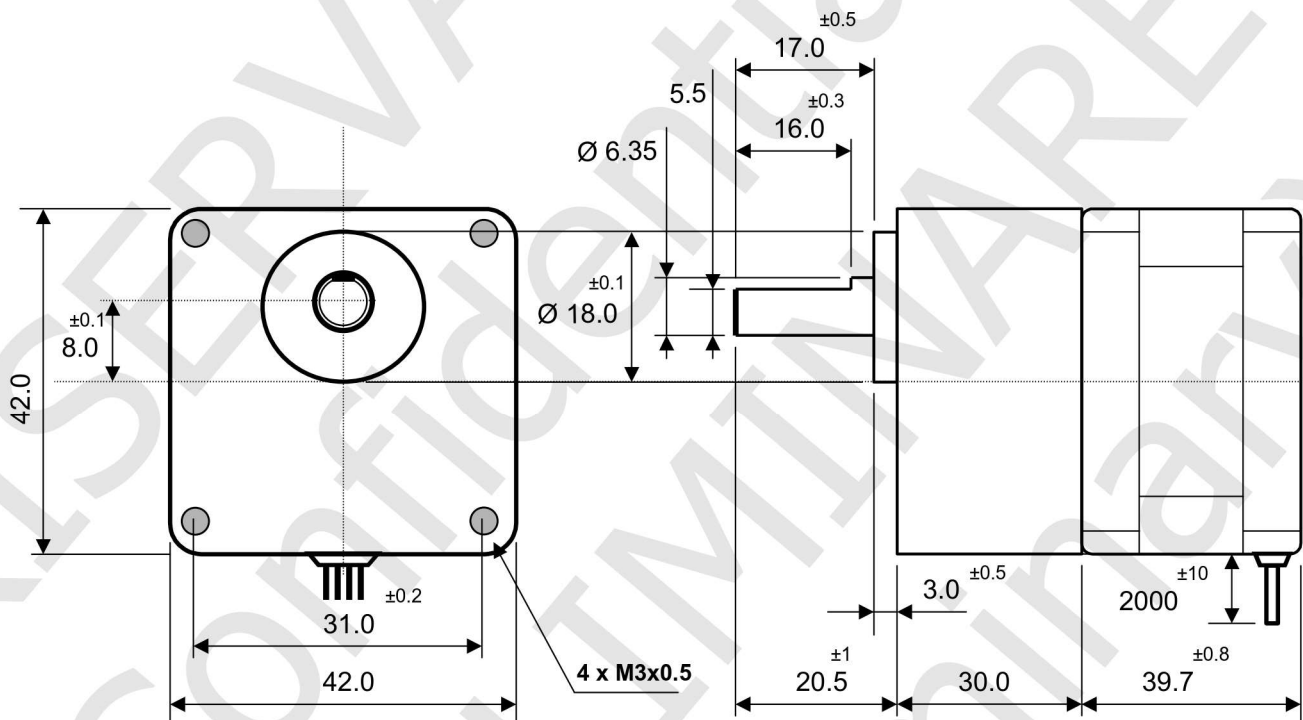
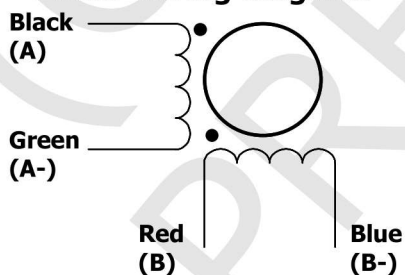


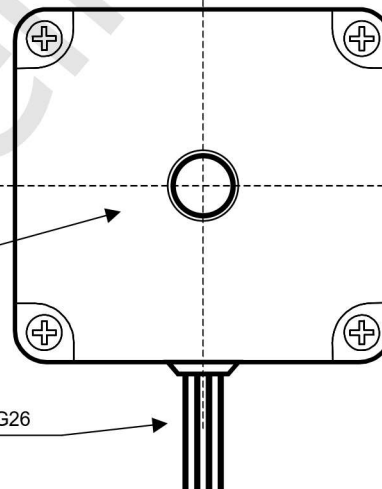
Motor size	1.7" flange – 42 mm square	Step Angle	1,8° ±5%
Gearbox Front Shaft	20.50 mm length – Ø 6.35 mm with D-cut 16.00x0.85 mm	Rear Shaft	None
Winding	# 4 lead wires – UL1007 AWG#26	Lead Wire Length	2000 mm ±10
Rated Voltage	4.42 Volt	Rated Current	1.30 A
Resistance	3.40 ohm ±10%	Inductance	6.30 mH ±20%
Winding	Bipolar	Holding Torque	0.400 Nm
Rotor Inertia	57 g.cm²	Insulation class	Class B, 130°
Ambient temperature	-20° ~ +40° C	Temperaure rise	80K max
Gearbox type	Spur gear	Gearbox ratio	1:10



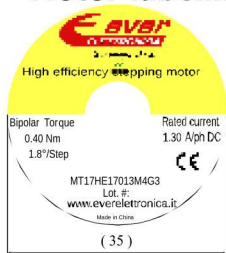
Motor wiring diagram



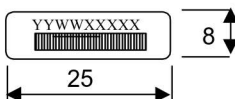
Rear flange



Motor labelling



Stator barcode label



UL1007 AWG26

	Motor specification: STM02159-00b	Date: October, 9th 2020	Customer approval: _____
	Motor code: MT17HE17013M4G3		Customer p/n: _____