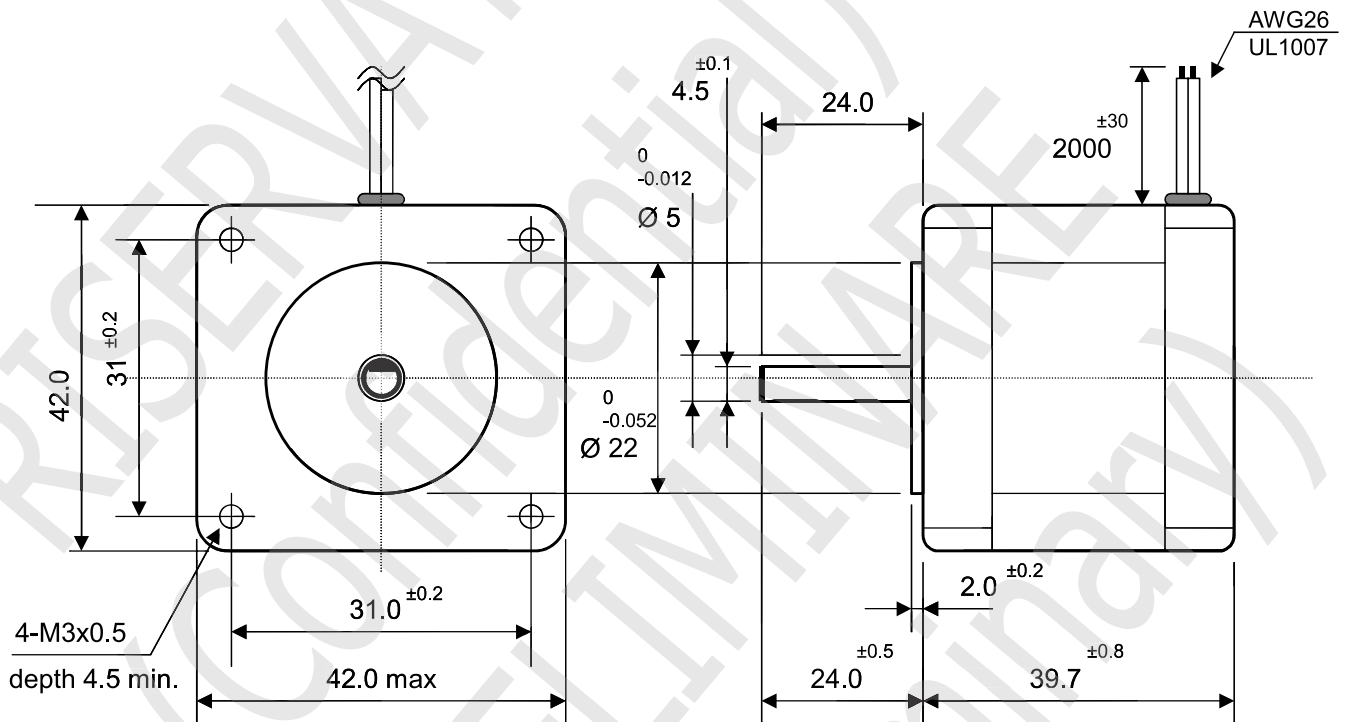
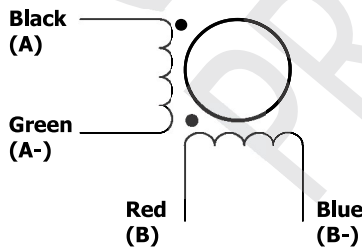


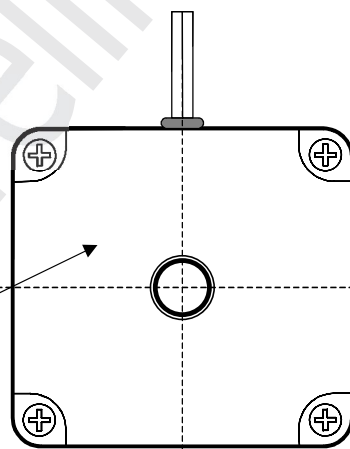
Motor size	1.7" flange – 42 mm square	Step Angle	1.8° ±5%
Front Shaft	24.00 mm length – Ø 5.00 mm with D-cut 24.0 x 0.5 mm	Rear Shaft	None
# of lead wires	# 4 lead wires	Lead Wire Length	2000 mm ±30
Rated Voltage	3.20 Volt	Rated Current	1.68 A
Resistance	1.90 ohm ±10%	Inductance	2.80 mH ±20%
Winding	Bipolar	Holding Torque	0.41 Nm min.
Rotor Inertia	57 g.cm²	Insulation class	Class B, 130°C
Ambient temperature	-20° ~ +40° C	Temperature rise	80K max
Allowable thrust load	10 N	Allowable radial load	21 N (at front shaft end)



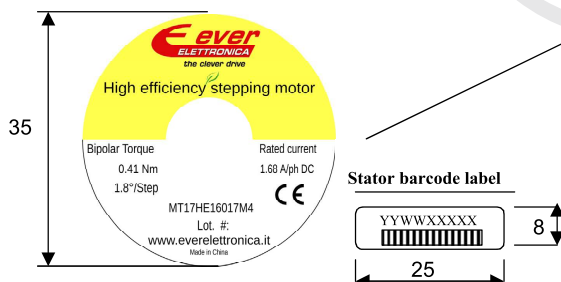
Wiring diagram



Rear flange



Motor Labelling



	Motor specification: STM01183-01d	Date: July, 14th 2017	Customer approval: _____
	Motor code: MT17HE16017M4		Customer p/n: _____