

MOTOR TECHNICAL SPECIFICATION

M-06-STP

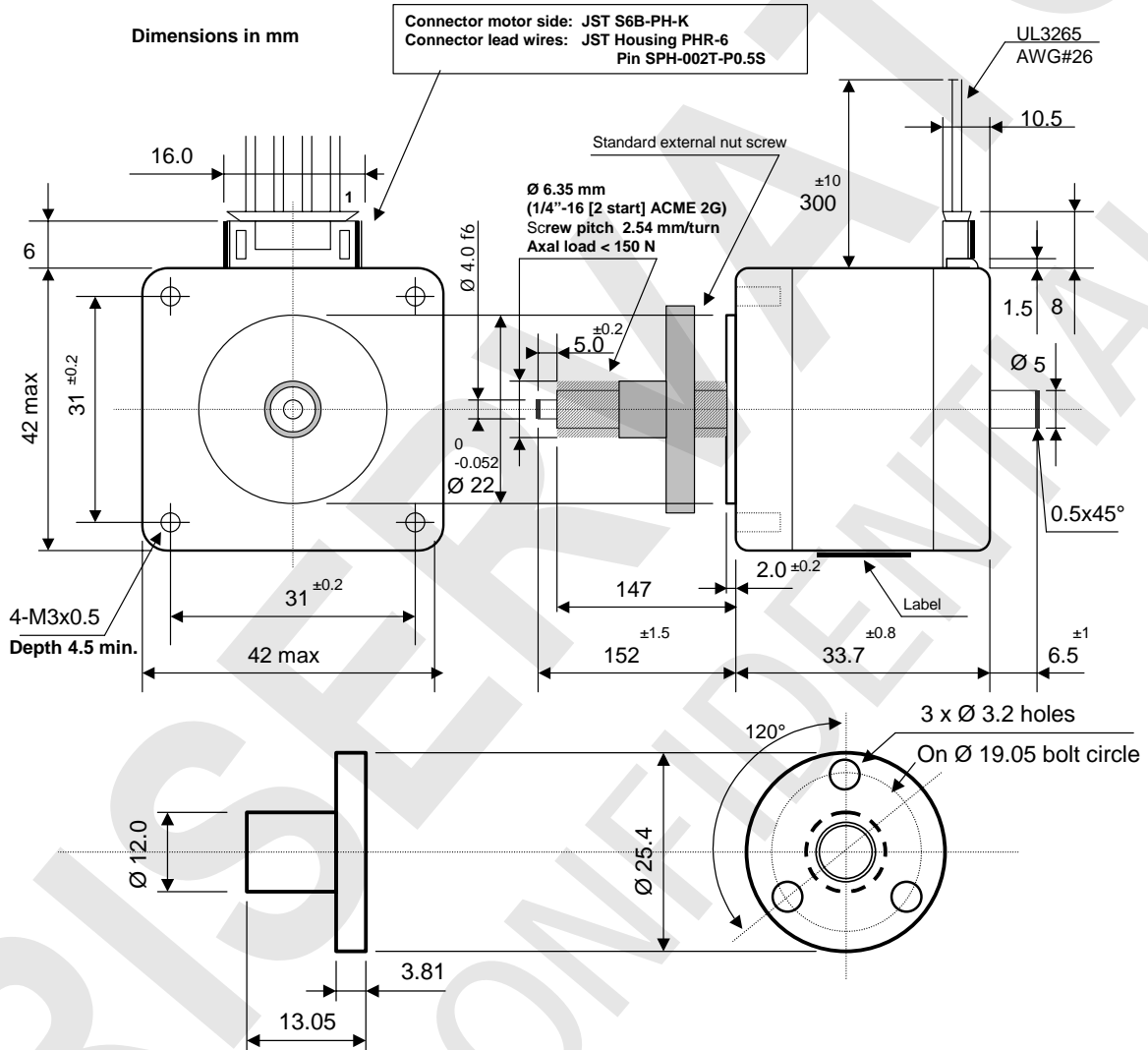


Red. : Bianchi Mario

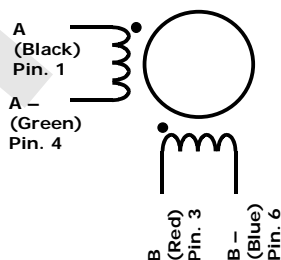
Doc: **MT17HE15010B4A1 - 01**

Date: 28/09/2016

Motor Size	1.7" - 42 mm square shape	Step Angle	1.8° ±5%
Front Shaft	Special - See drawing	Rear Shaft	6.5 mm length - Ø 5.0 mm
Winding	# 4 lead wires with connector on board	Lead Wire Length	300 mm ±10mm
Rated Voltage	2.60 Volt	Rated Current	1.00 Amps/phase
Resistance	2.60 ohm ±10%	Inductance	4.30 mH ±20%
Motor Rotor Inertia	38 g.cm²	Motor Holding Torque	0.24 Nm min.
Connection	Bipolar	Insulation class	Class B, 130° C
Ambient temperature	-20° C ~ +40° C	Temperature rise	80K max



Connection lead wires color diagram



Motor Labelling

