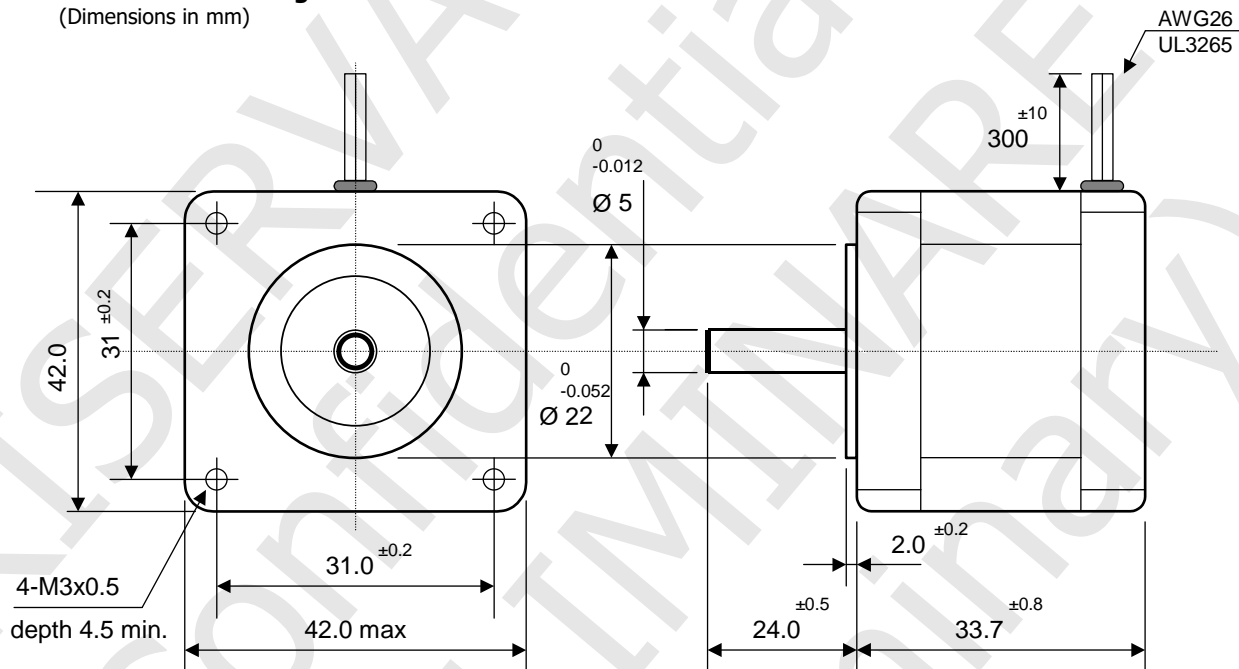


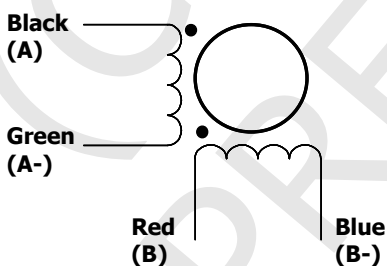
Motor size	1.7" flange – 42 mm square	Step Angle	0.9° ±5%
Front Shaft	24.00 mm length – Ø 5.00 mm	Rear Shaft	None
# of lead wires	# 4 lead wires	Lead Wire Length	300 mm ±10
Rated Voltage	11.20 Volt	Rated Current	0.40 A
Resistance	28.0 ohm ±10%	Inductance	61.00 mH ±20%
Winding	Bipolar	Holding Torque	23.0 Ncm min.
Rotor Inertia	40 g.cm²	Insulation class	Class B, 130°C
Ambient temperature	-20° ~ +40° C	Temperature rise	80K max
Allowable thrust load	10 N	Allowable radial load	21 N (at front shaft end)

Mechanical drawing

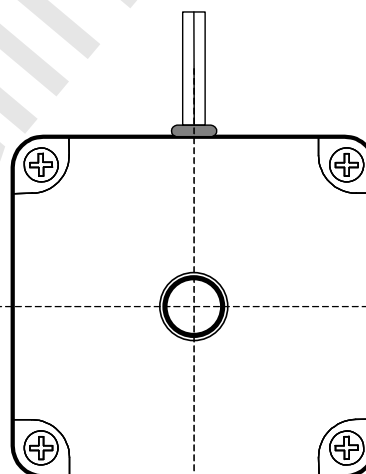
(Dimensions in mm)



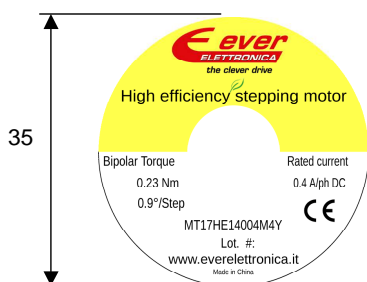
Wiring diagram



Rear flange



Motor Labelling



Stator barcode label



	Motor specification: STM0xxx-00	Date: September, 22nd 2016	Customer approval: _____
	Motor code: MT17HE14004M4Y		Customer p/n: _____