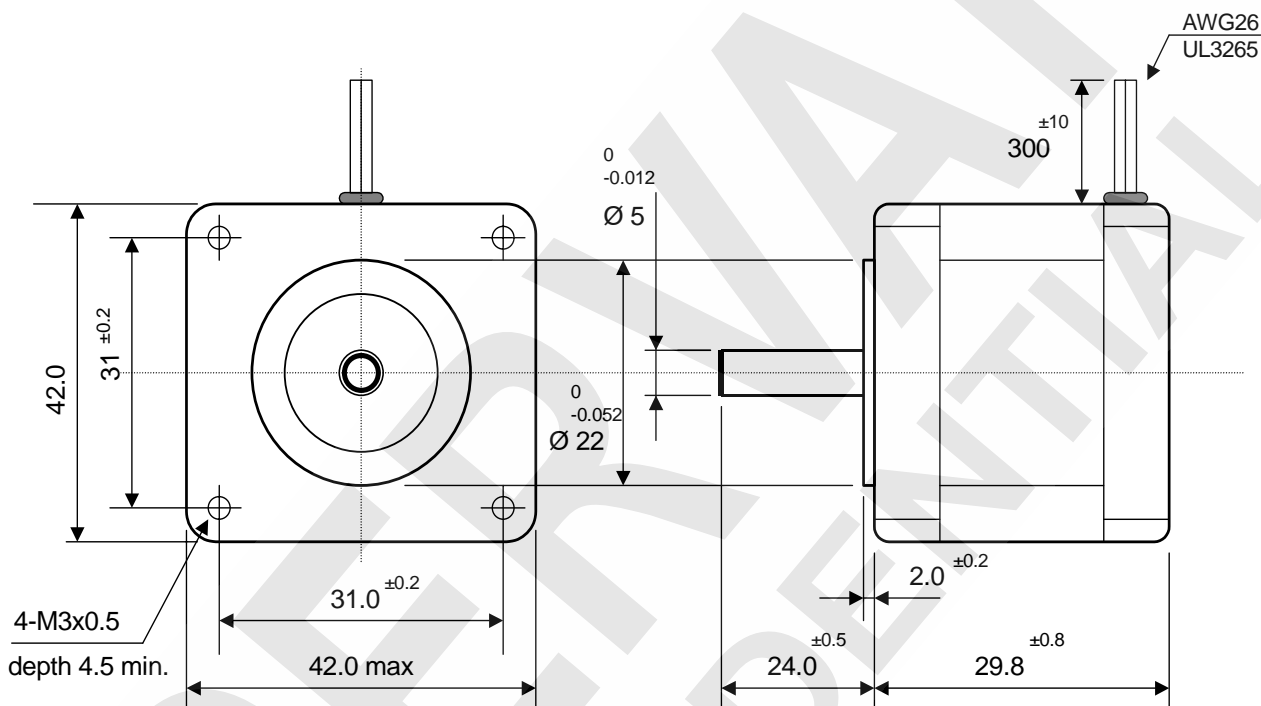
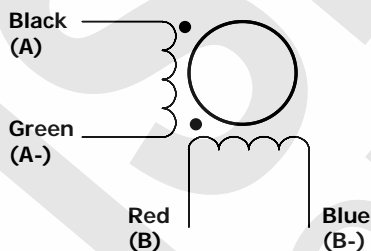


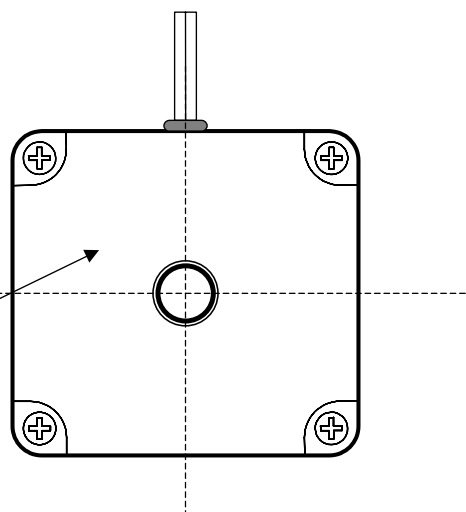
Motor size	1.7" flange – 42 mm square	Step Angle	0.9° ±5%
Front Shaft	24.00 mm length – Ø 5.00 mm	Rear Shaft	None
# of lead wires	# 4 lead wires	Lead Wire Length	300 mm ±10
Rated Voltage	4.16 Volt	Rated Current	1.30 A
Resistance	3.20 ohm ±10%	Inductance	7.00 mH ±20%
Winding	Bipolar	Holding Torque	200 mNm min.
Rotor Inertia	22 g.cm²	Insulation class	Class B, 130°C
Ambient temperature	-20° ~ +40° C	Temperature rise	80K max
Allowable thrust load	10 N	Allowable radial load	21 N (at front shaft end)



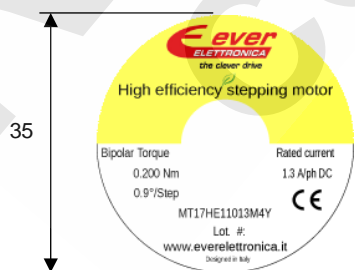
Wiring diagram



Rear flange



Motor Labelling



	Motor specification: STM01297-01	Date: February, 29nd 2016	Customer approval: _____
	Motor code: MT17HE11013M4Y		Customer p/n: _____